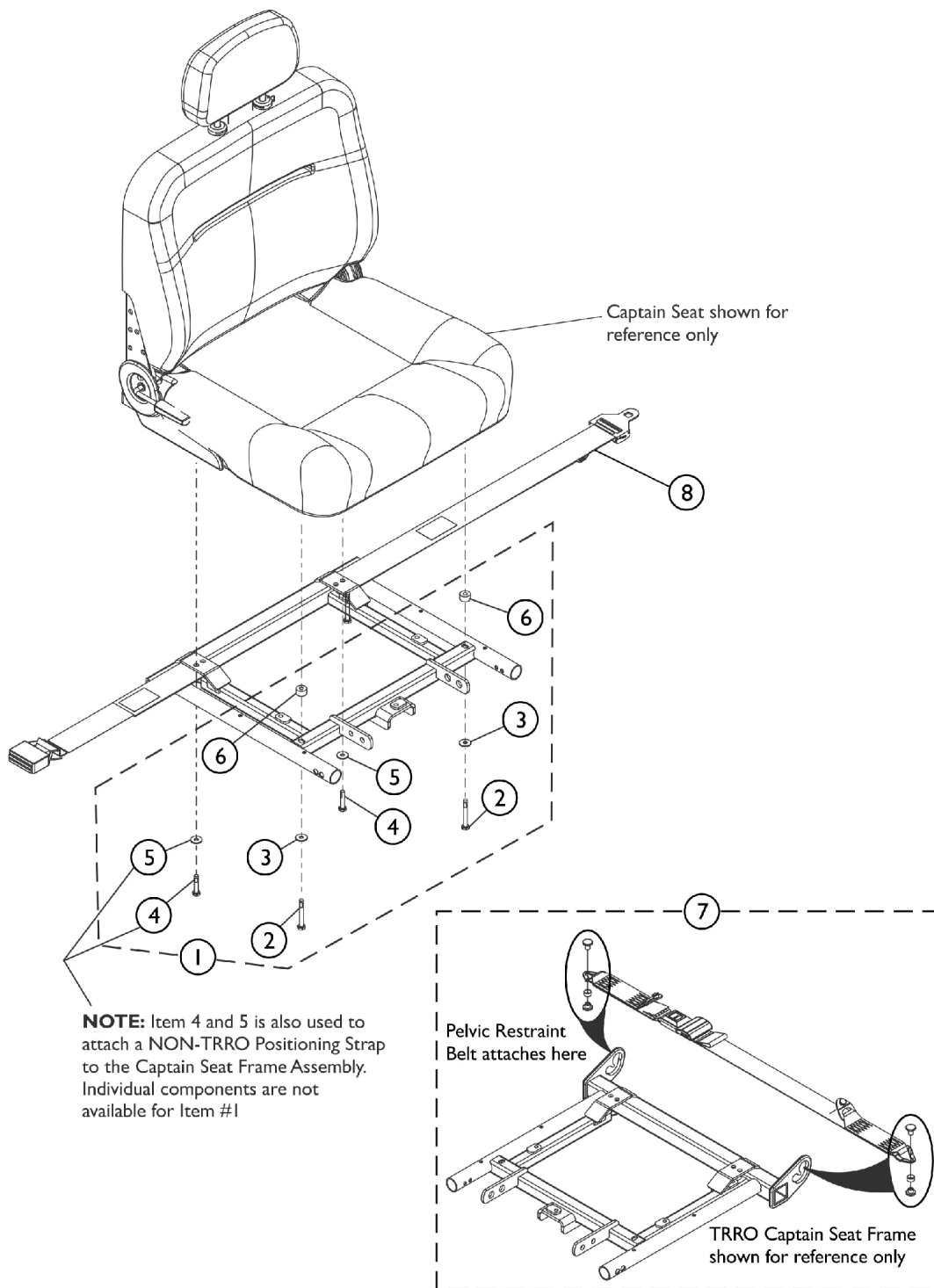


Positioning Straps and Pelvic Restraint Belts



Positioning Straps and Pelvic Restraint Belts

Item Number	Note	Part Number	Description	Quantity Per	
				Package	Assembly
1	E	1147626	Kit, Captain Seat Mounting Hardware	1	1
2			Screw, Hex Head Cap w/ Patch (1/4-20 x 2-1/4")	1	2
3			Washer, Steel (1/4 x 5/8 x 3/32")	1	2
4			NLA - Screw, Hex Head Cap w/ Patch (1/4-20 x 1")	1	2
5			Washer (1/4 x 23/32 x 1/16")	1	2
6			NLA - Spacer (1/4 x 5/8 x 3/8")	1	2
7	A,B	60108350	Kit, Belt, Pelvic Restraint w/ Auto Style Push Button Buckle (Bushing Hole to Bushing Hole Length 37")	1	1
7	A,C	60108351	Kit, Belt, Pelvic Restraint w/ Auto Style Push Button Buckle (Bushing Hole to Bushing Hole Length 54")	1	1
8	D,F	1004310	Strap, Positioning, Seat/Chest w/ Auto Style Push Button Buckle (Eyelet to Eyelet Length 48")	1	1
8	D,G	1034625	Strap, Positioning, Seat/Chest w/ Auto Style Push Button Buckle (Eyelet to Eyelet Length 61")	1	1
	D,H	1124380	Strap, Positioning, Seat/Chest w/ Auto Style Buckle (Eyelet to Eyelet Length 94")	1	1

NOTE: A - Pelvic Restraint Belt For TRRO Option Only. Wheelchairs equipped with TRRO Option do not have to be returned to Invacare to attach a replacement Pelvic Restraint Belt.
 B - Used for 16" Wide Captain Seat.
 C - Used for 18, 20, 22, 24" Wide Captain Seats.
 D - "NON-TRRO Positioning Strap shares hardware with Captain Seat Assembly Mounting Hardware as shown. See items 4 and 5.
 E - Includes items 2-6.
 F - Used for 16" Wide Captain Seat
 G - Used for 18-22" Wide Captain Seat
 H - Used for 24" Wide Captain Seat.