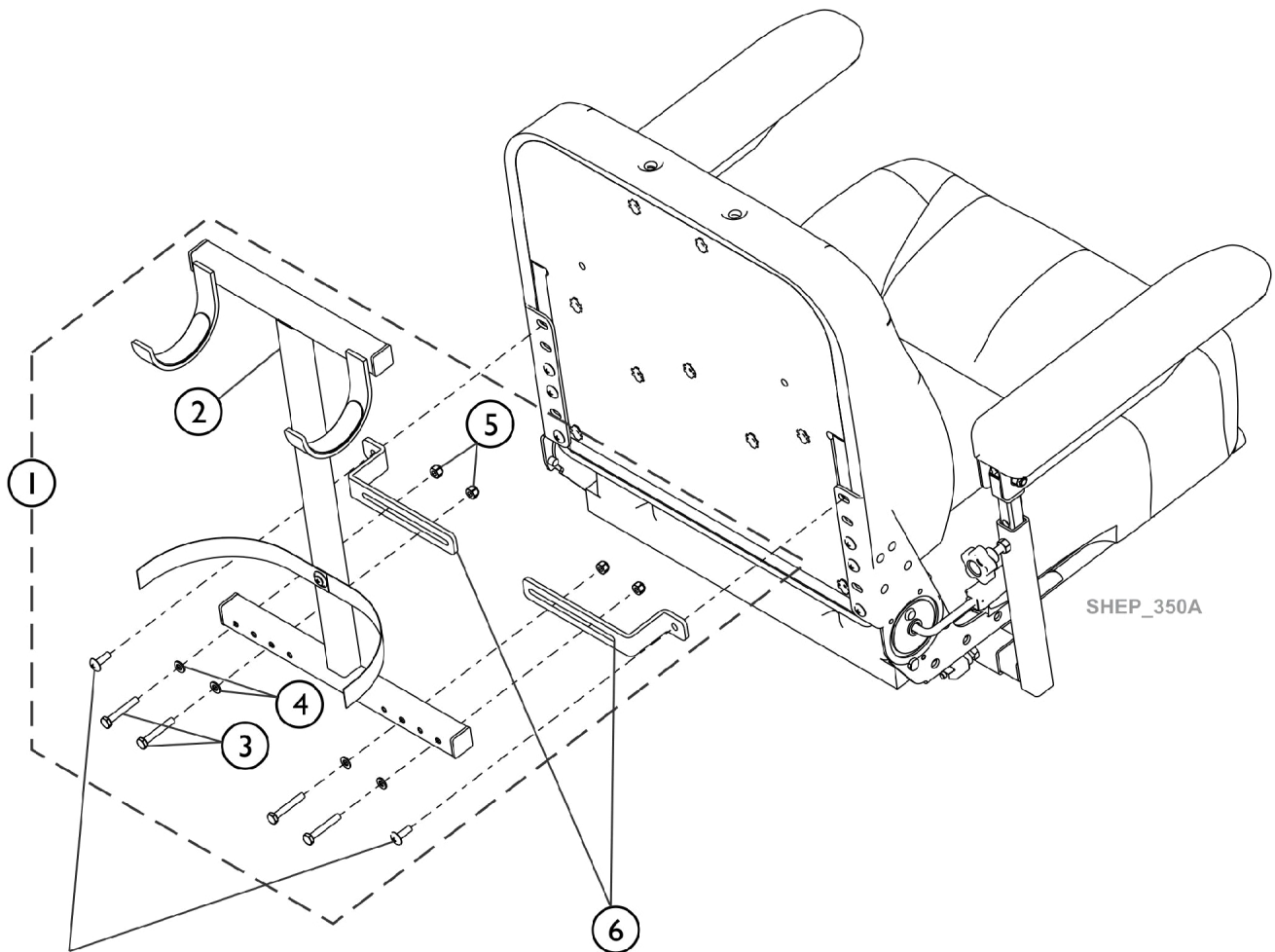


# Accessories - Walker Holder Assembly - CSWH



**NOTE:** Reuse existing screws from Captain Seat Back to assemble Walker Holder to wheelchair

## Accessories - Walker Holder Assembly - CSWH

Item Number	Note	Part Number	Description	Quantity Per	
				Package	Assembly
1	A	60108348	Kit, Walker Holder Assembly, Black - Captain Seat	1	1
2			Walker Holder Assembly - Captain Seat	1	1
3			Screw, Hex Head (1/4-20 x 1-5/8")	1	4
4			Washer (1/4 x 1/2 x 1/16")	1	4
5			Locknut (1/4-20)	1	4
6		60108347	Kit, Bracket, Walker Hanger, Black (16, 18, 20, 22" W Captain Seat)	1	2
6		60108357	Kit, Bracket, Walker Hanger, Black (24" W Captain Seat)	1	2

NOTE: A - Includes items 2-5