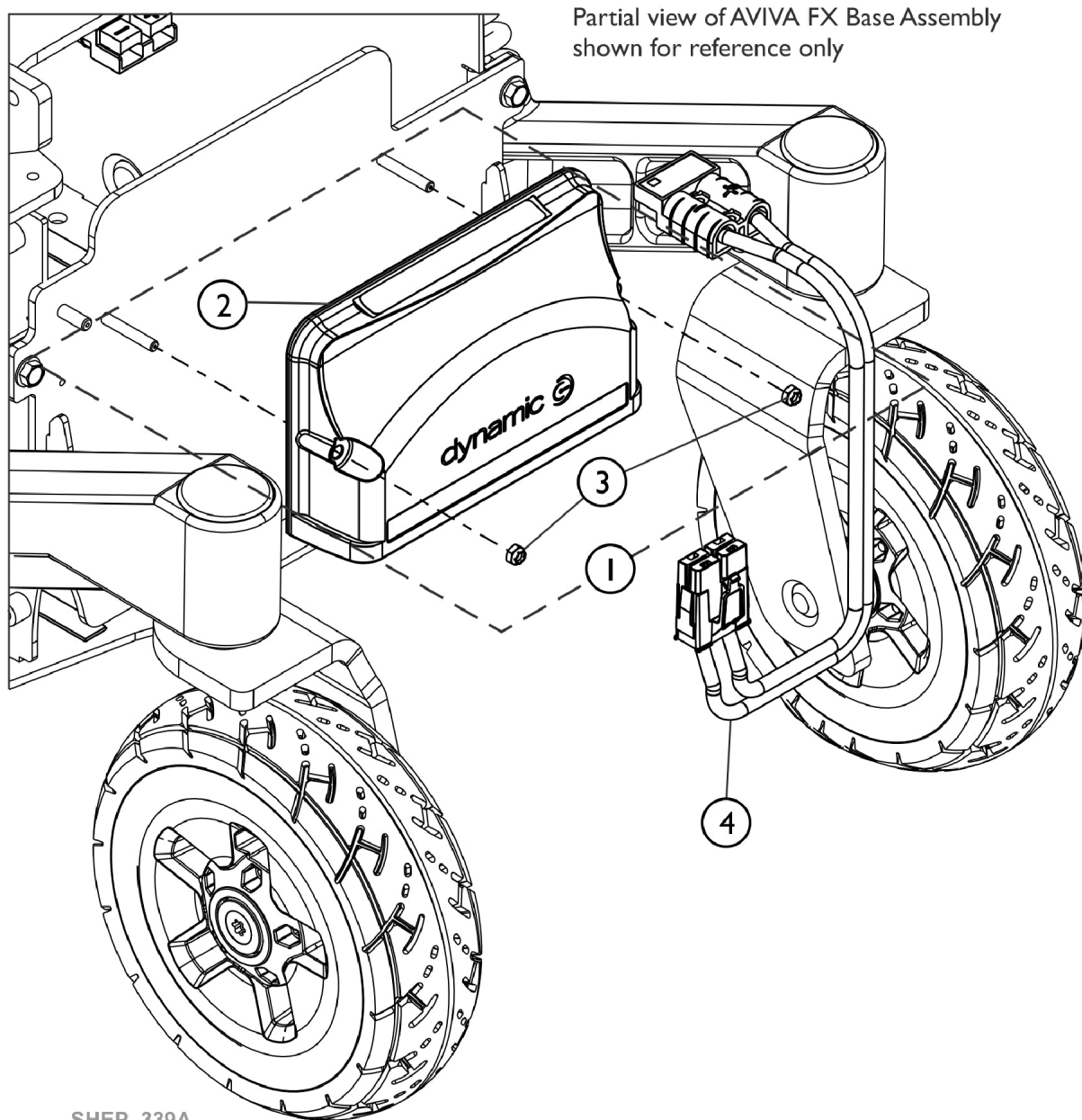


# LiNX Power Module 120AL and Mounting Hardware

**NOTE:** When installing a new Power Module, the Motors will need to be calibrated with Invacare Tech. Services. An LAK is required to complete the calibration.



# LiNX Power Module 120AL and Mounting Hardware

**NOTE: When installing a new Power Module, the Motors will need to be calibrated with Invacare Tech. Services. An LAK is required to complete the calibration.**

Item Number	Note	Part Number	Description	Quantity Per	
				Package	Assembly
1	A	60124961	Kit, LiNX Power Module 120AL and Mounting Hardware	1	1
2			LiNX Power Module 120AL	1	1
3			Locknut (M5 x .8mm)	1	2
4		60124373	Kit, Battery Connector Harness, GP24	1	1

NOTE: A - Includes items 2 and 3