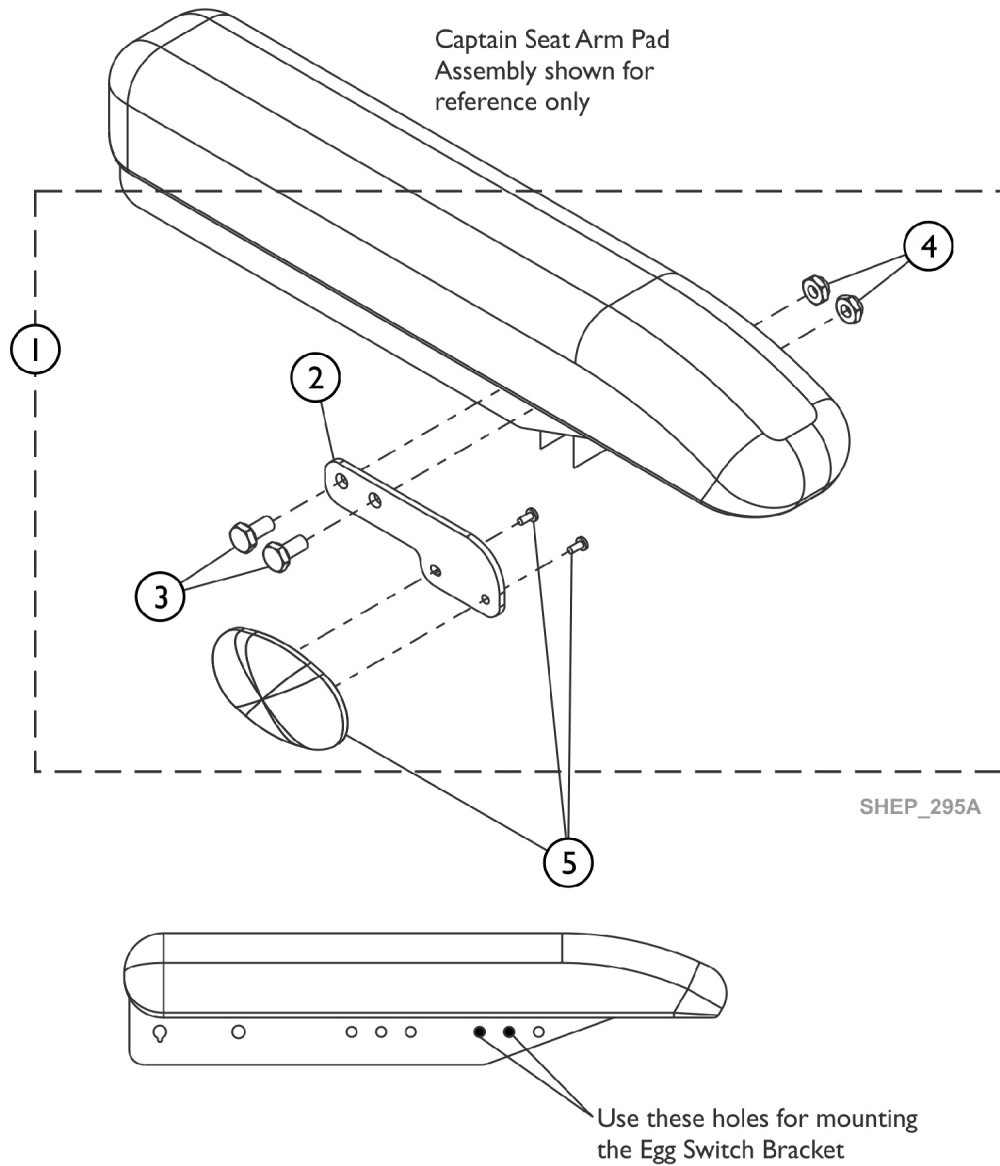


Egg Switch and Mounting Hardware



Item Number	Note	Part Number	Description	Quantity Per	
				Package	Assembly
1	A	60108372	Kit, Egg Switch Mounting Hardware, Captain Seat	1	1
2			Bracket, Egg Switch Mounting, Black - Captain Seat	1	1
3			NLA - Screw, Hex Head (1/4-20 x 1-1/2")	1	2
4			Locknut (1/4-20)	1	2
			Sheet, Insert Parts Service	1	1
5		60102517	Kit, Switch, Black Egg Reset w/ Hook/Loop Adhesive Back Fastener & Attaching Screws (EGSBLK)	1	1

NOTE: A - Includes items 2-4 and Service Parts Insert Sheet