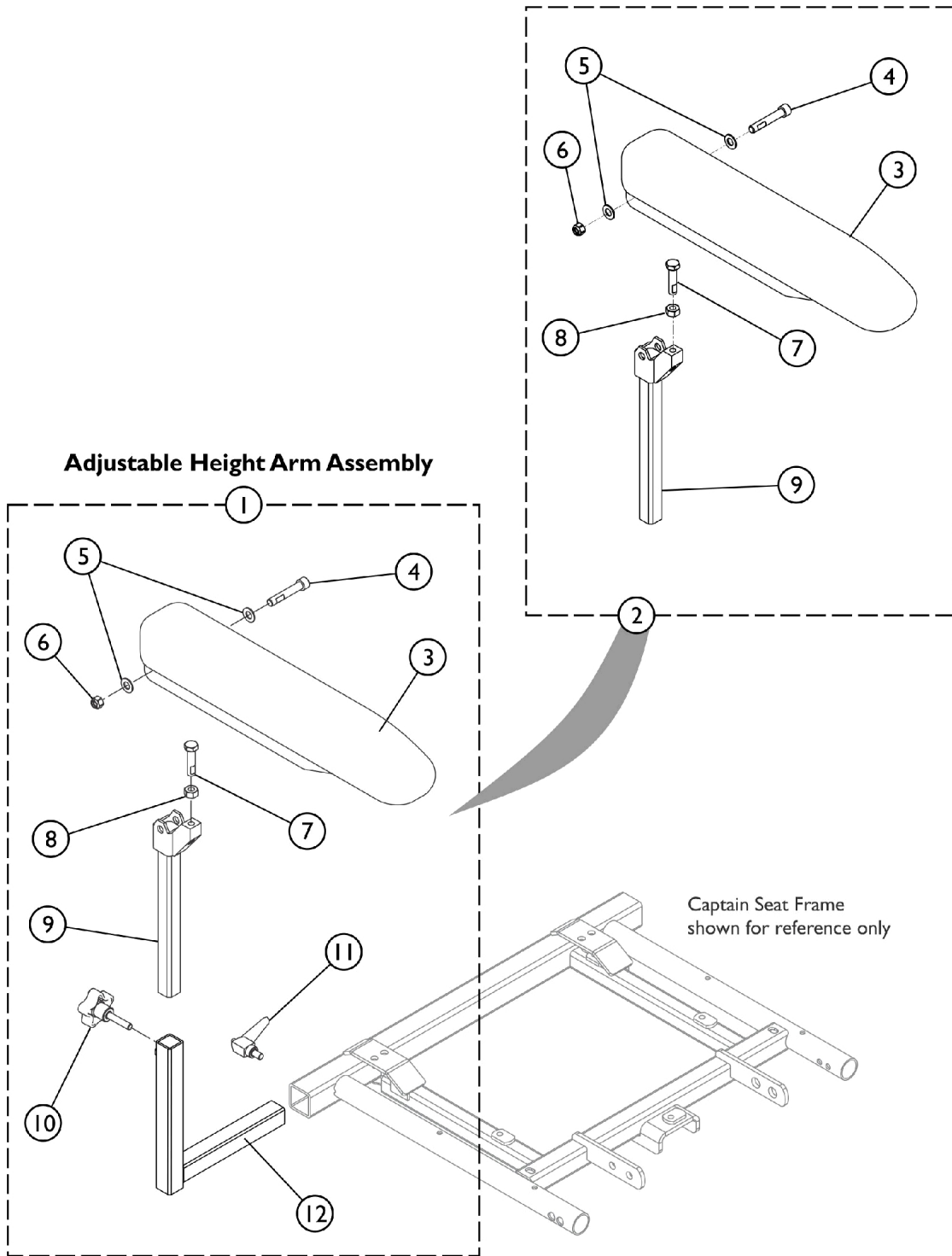


# Arms - Captain Seat



SHEP\_284A

## Arms - Captain Seat

Item Number	Note	Part Number	Description	Quantity Per		
				Package	Assembly	
1		See Chart	Item #1 Arm Assembly, Adjustable Height	1	1	
2	A	1142487	Upper Arm Assembly, Desk Length (Right/Left)	1	1	
3			Arm Pad, Desk Length, Black Urethane (12-1/4" L x 2-5/8" W)	1	1	
4			Screw, Socket Head w/ Patch (5/16-18 x 1-3/4")	1	1	
5			Washer, Flat (5/16 x 5/8 x 1/16")	1	2	
6			Locknut (5/16-18)	1	1	
7			Screw, Hex Head w/ Patch (5/16-18 x 1-1/4")	1	1	
8			NLA - Nut, Hex (5/16-18)	1	1	
9			Tube, Arm, Upper Adjustable Height, Black	1	1	
2			A	1140426	Upper Arm Assembly, Full Length (Right/Left)	1
3	Arm Pad, Full Length, Urethane, Black (15" L x 2-5/8" W)	1			1	
4	Screw, Socket Head w/ Patch (5/16-18 x 1-3/4")	1			1	
5	Washer, Flat (5/16 x 5/8 x 1/16")	1			2	
6	Locknut (5/16-18)	1			1	
7	Screw, Hex Head w/ Patch (5/16-18 x 1-1/4")	1			1	
8	NLA - Nut, Hex (5/16-18)	1			1	
9	Tube, Arm, Upper Adjustable Height, Black	1			1	
3	1139923	Arm Pad, Desk Length, Black Urethane (12-1/4" L x 2-5/8" W)			1	1
3	1139924	Arm Pad, Full Length, Urethane, Black (15" L x 2-5/8" W)			1	1
10	1114910	Knob, Adjustment, Black (5/16-18 x 3/4")			1	1
11	1114914	Handle, Release, Black (5/16-18 x 1/2")	1	1		
12	C	1113646	Tube, Arm, Lower Adjustable Width, Black - Right	1	1	
12	C	1113647	Tube, Arm, Lower Adjustable Width, Black - Left	1	1	
	D	60108449	Kit, Lower Adjustable Width Arm Tube w/ Hardware, Black (Pair)	1	1	
			Knob, Adjustment, Black (5/16-18 x 3/4")	1	2	
			Handle, Release, Black (5/16-18 x 1/2")	1	2	
			Tube, Arm, Lower Adjustable Width, Black - Right	1	1	
			Tube, Arm, Lower Adjustable Width, Black - Left	1	1	

NOTE: A - Includes items 2-6  
 C - Item #12 is not sold separately for wheelchairs with Elevate Option.  
 D - Part #60108449 used for wheelchairs with Non-Elevate Option only. The Lower Arm Tube horizontal tube measurement is longer than an Elevate Optioned wheelchair.

### Item #1 Arm Assembly, Adjustable Height

Wheelchair Option	Description	Right Side Part Number	Left Side Part Number
Non-Elevate	Desk Length Arm	1142494	1142495
		See Note(s) A	See Note(s) A
Non-Elevate	Full Length Arm	1142476	1142477
		See Note(s) A	See Note(s) A
Elevate	Desk Length Arm	60108435	60108436
		See Note(s) B, A	See Note(s) B, A

# Arms - Captain Seat

## Item #1 Arm Assembly, Adjustable Height

Wheelchair Option	Description	Right Side Part Number	Left Side Part Number
Elevate	Full Length Arm	60108437 See Note(s) B, A	60108438 See Note(s) B, A
NOTE: A - Includes items 2-12 B - Item #12 is not sold separately			