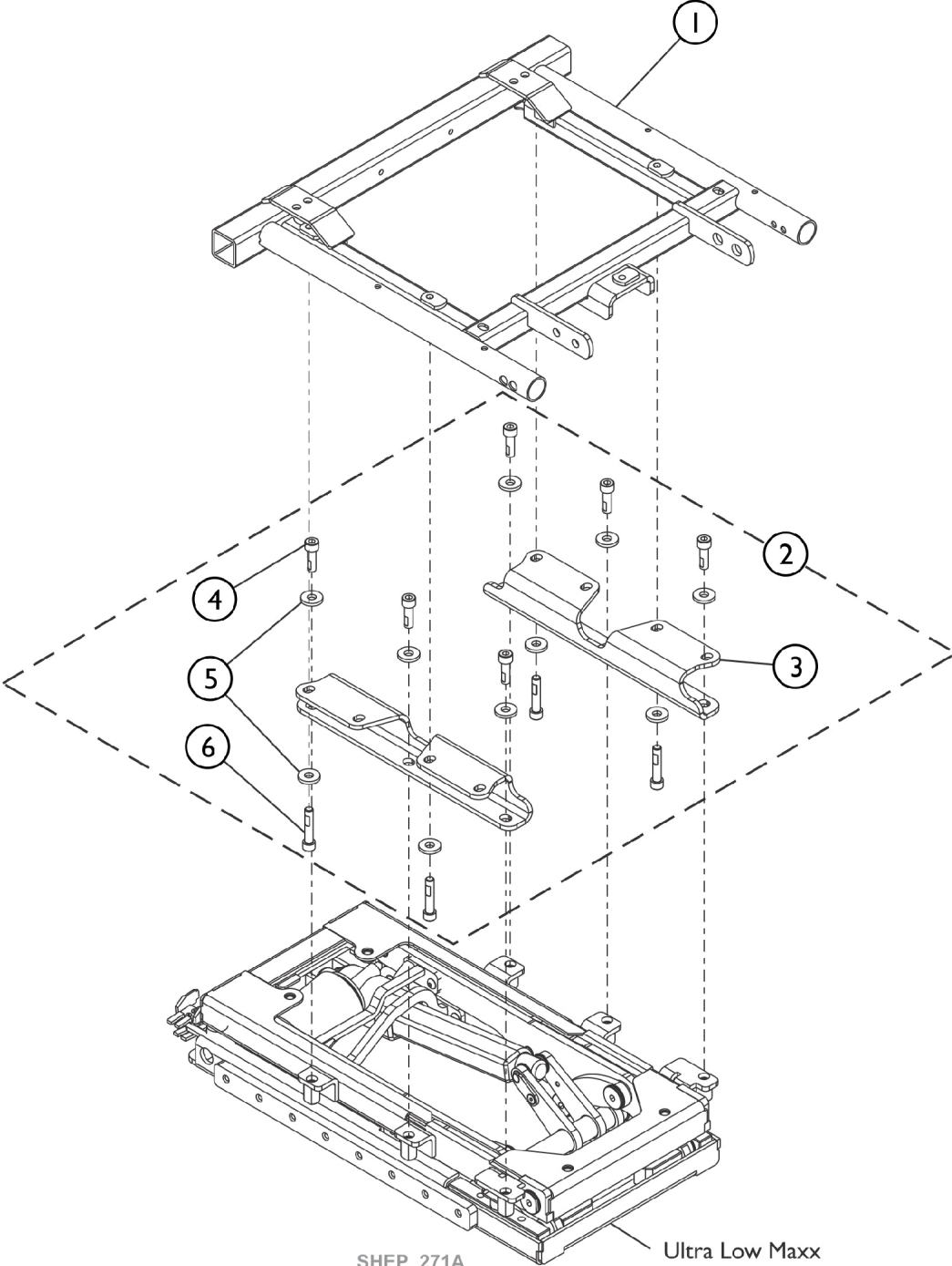


Captain Seat & Mounting Hardware, Elevate For CTMT Front Riggings

Note: Ultra Low Elevate Module including the Elevate Actuator are Non-Serviceable in the Field.



SHEP_271A

Ultra Low Maxx
Elevate Module
shown for
reference only

Captain Seat & Mounting Hardware, Elevate For CTMT Front Riggings

Note: Ultra Low Elevate Module including the Elevate Actuator are Non-Serviceable in the Field.

Item Number	Note	Part Number	Description	Quantity Per	
				Package	Assembly
1		60104873	Kit, Frame, Captain Seat, Black (16" W)	1	1
1		60104874	Kit, Frame, Captain Seat, Black (18" W)	1	1
1		60104875	Kit, Frame, Captain Seat, Black (20" W)	1	1
1		60104876	Kit, Frame, Captain Seat, Black (22" W)	1	1
1		60108354	Kit, Frame, Captain Seat, Black, SP2 (24" W)	1	1
2	A	60108592	Kit, Captain Seat Frame Mounting Hardware (Elevate)	1	1
3			Bracket, Captain Seat Mounting, Elevate, Black	1	2
4			Screw, Socket Head w/ Patch (M8 x 1.25 x 25mm)	1	6
5			Washer, Flat (21/64 x 53/64 x 7/64")	1	10
6			NLA - Screw, Socket Head w/ Patch (5/16-18 x 1-1/2")	1	4

NOTE: A - Includes items 3-6.