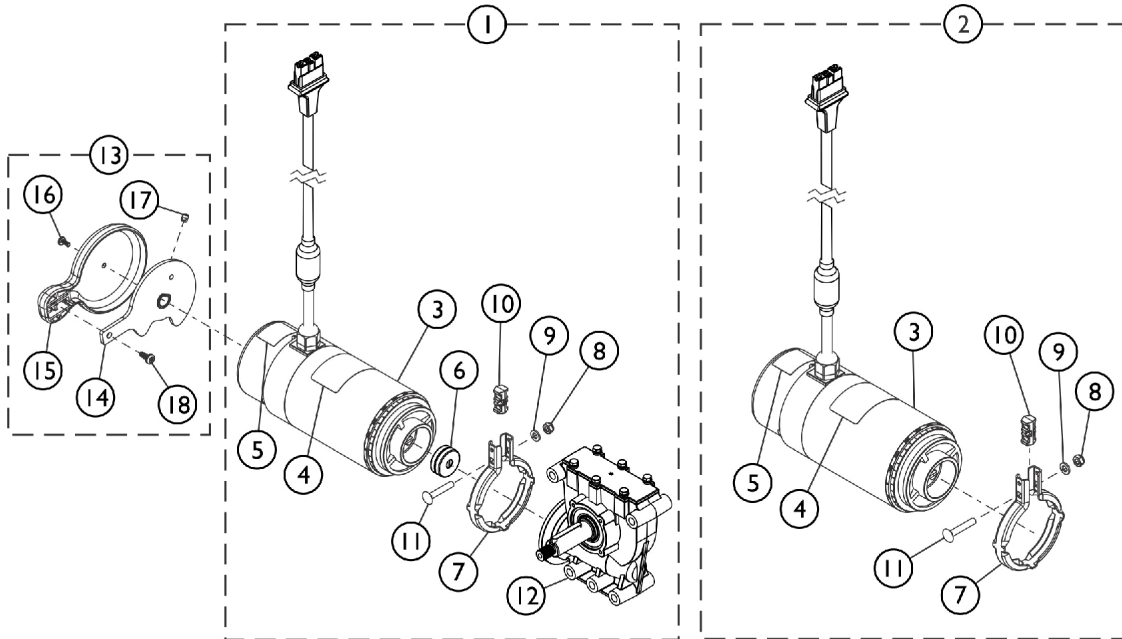


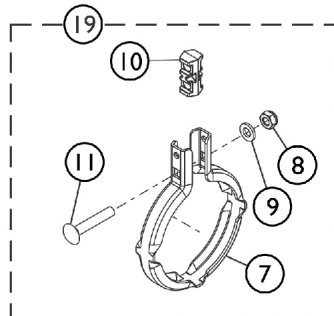
# Motors, 4-Pole, SSD Gearbox and Mounting Hardware

When installing a new Motor or Motor/Gearbox Assembly, the Motor will need to be calibrated with Invacare Tech. Services. An LAK is required to complete the calibration.

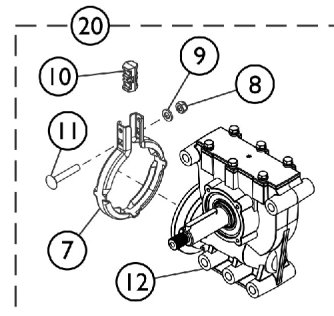


4-Pole Motor/SSD Gearbox Assembly

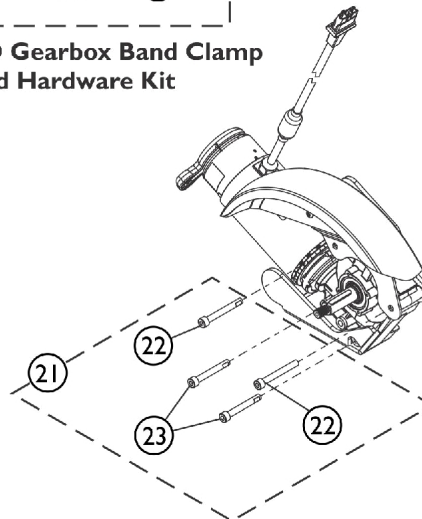
4-Pole Motor Assembly



Motor/SSD Gearbox Band Clamp and Hardware Kit



SSD Gearbox Assembly



4-Pole Motor/SSD Gearbox Assembly, Mounting Bracket and Fender Assembly shown for reference only

# Motors, 4-Pole, SSD Gearbox and Mounting Hardware

When installing a new Motor or Motor/Gearbox Assembly, the Motor will need to be calibrated with Invacare Tech. Services. An LAK is required to complete the calibration.

Item Number	Note	Part Number	Description	Quantity Per	
				Package	Assembly
1	A,E,F, H	60124863	Kit, 4-Pole 5K Motor/23:1 SSD Gearbox Assembly - Right	1	1
			4-Pole 5K Motor/23:1 SSD Gearbox Assembly - Right	1	1
			Decal, Motor Warning	1	1
			Label, Push/Drive	1	1
			Grease, Super Lube (1cc Tube)	1	1
			Sheet, Insert Parts Service	1	1
1	A,E,F, H	60124859	Kit, 4-Pole 5K Motor/23:1 SSD Gearbox Assembly - Left	1	1
			4-Pole 5K Motor/23:1 SSD Gearbox Assembly - Left	1	1
			Decal, Motor Warning	1	1
			Label, Push/Drive	1	1
			Grease, Super Lube (1cc Tube)	1	1
			Sheet, Insert Parts Service	1	1
1	A,E,H,I	60124887	Kit, 4Pole Low Speed Motor/18:1 Gearbox Assembly - Right	1	1
			4-Pole Low Speed Motor/18:1 SSD Gearbox Assembly - Right	1	1
			Decal, Motor Warning	1	1
			Label, Push/Drive	1	1
			Grease, Super Lube (1cc Tube)	1	1
			Sheet, Insert Parts Service	1	1
1	A,E,H,I	60124886	Kit, 4Pole Low Speed Motor/18:1 Gearbox Assembly - Left	1	1
			4-Pole Low Speed Motor/18:1 SSD Gearbox Assembly - Left	1	1
			Decal, Motor Warning	1	1
			Label, Push/Drive	1	1
			Grease, Super Lube (1cc Tube)	1	1
			Sheet, Insert Parts Service	1	1
6		1168883	Package, Coupling/Cup Assembly	10	1
2	B,E,F, H	60124867	Kit, Motor Assembly, 4-Pole 5K	1	1
3			Motor Assembly, 4-Pole 5K	1	1
4			Decal, Motor Warning	1	1
5			Label, Push/Drive	1	1
7			Clamp, Band	1	1
8			Locknut, DIN 985-M6- (A2K)-8	1	1
9			Washer (M6 6.6 x 12 x 1.8mm)	1	1
10			Spacer, Clamp, Molded	1	1
11			Bolt, Round Head Square Neck (M6 x 1 x 35mm)	1	1
			Sheet, Insert Parts Service	1	1
2	B,E,H,I	60124869	Kit, Motor Assembly, 4-Pole Low Speed	1	1
3			Motor Assembly, 4-Pole Low Speed	1	1

## Motors, 4-Pole, SSD Gearbox and Mounting Hardware

**When installing a new Motor or Motor/Gearbox Assembly, the Motor will need to be calibrated with Invacare Tech. Services. An LAK is required to complete the calibration.**

Item Number	Note	Part Number	Description	Quantity Per	
				Package	Assembly
4			Decal, Motor Warning	1	1
5			Label, Push/Drive	1	1
7			Clamp, Band	1	1
8			Locknut, DIN 985-M6- (A2K)-8	1	1
9			Washer (M6 6.6 x 12 x 1.8mm)	1	1
10			Spacer, Clamp, Molded	1	1
12			Bolt, Round Head Square Neck (M6 x 1 x 35mm)	1	1
			Sheet, Insert Parts Service	1	1
13	D	60129163	Kit, Brake Lever Handle and Cap w/ Hardware (Pair)	1	1
14			Lever, Brake, Black - Right	1	1
14			Lever, Brake, Black - Left	1	1
15			Cap, Brake Lever, Motor	1	2
16			Screw, LG Phillips Head (M3.5 x 0.6 x 8mm)	1	2
17			NLA - Screw, Set Socket Cup Point w/ Patch (M5 x .8 x 6mm)	1	2
18			Screw, LG Torx Socket Head Cap SC (M4.5 x 1.59 x 10mm)	1	2
			Sheet, Insert Parts Service	1	1
19	E	60124874	Kit, Motor/SSD Gearbox Band Clamp and Hardware	1	1
7			Clamp, Band	1	1
8			Locknut, DIN 985-M6- (A2K)-8	1	1
9			Washer (M6 6.6 x 12 x 1.8mm)	1	1
10			Spacer, Clamp, Molded	1	1
11			Bolt, Round Head Square Neck (M6 x 1 x 35mm)	1	1
			Sheet, Insert Parts Service	1	1
20	C,E,F	60124872	Kit, SSD Gearbox Assembly, 23:1 - Right	1	1
			Clamp, Band	1	1
			Locknut, DIN 985-M6- (A2K)-8	1	1
			Washer (M6 6.6 x 12 x 1.8mm)	1	1
			Spacer, Clamp, Molded	1	1
			Bolt, Round Head Square Neck (M6 x 1 x 35mm)	1	1
			Gearbox Assembly, SSD, 23:1 - RWD/FWD-Left & CWD-Right	1	1
			Sheet, Insert Parts Service	1	1
20	C,E,F	60124870	Kit, SSD Gearbox Assembly, 23:1 -Left	1	1
			Clamp, Band	1	1
			Locknut, DIN 985-M6- (A2K)-8	1	1
			Washer (M6 6.6 x 12 x 1.8mm)	1	1
			Spacer, Clamp, Molded	1	1
			Bolt, Round Head Square Neck (M6 x 1 x 35mm)	1	1
			Gearbox Assembly, SSD, 23:1 - RWD/FWD-Right & CWD-Left	1	1
			Sheet, Insert Parts Service	1	1

## Motors, 4-Pole, SSD Gearbox and Mounting Hardware

**When installing a new Motor or Motor/Gearbox Assembly, the Motor will need to be calibrated with Invacare Tech. Services. An LAK is required to complete the calibration.**

Item Number	Note	Part Number	Description	Quantity Per				
				Package	Assembly			
20	C,E,I	60124873	Kit, SSD Gearbox Assembly, 18:1 - Right	1	1			
			Gearbox Assembly, SSD, 18:1 - RWD/FWD-Left & CWD-Right	1	1			
			Clamp, Band	1	1			
			Locknut, DIN 985-M6- (A2K)-8	1	1			
			Washer (M6 6.6 x 12 x 1.8mm)	1	1			
			Spacer, Clamp, Molded	1	1			
			Bolt, Round Head Square Neck (M6 x 1 x 35mm)	1	1			
			Sheet, Insert Parts Service	1	1			
			20	C,E,I	60124871	Kit, SSD Gearbox Assembly, 18:1 - Left	1	1
						Gearbox Assembly, SSD, 18:1 - RWD/FWD-Right & CWD-Left	1	1
Clamp, Band	1	1						
Locknut, DIN 985-M6- (A2K)-8	1	1						
Washer (M6 6.6 x 12 x 1.8mm)	1	1						
Spacer, Clamp, Molded	1	1						
Bolt, Round Head Square Neck (M6 x 1 x 35mm)	1	1						
Sheet, Insert Parts Service	1	1						
21	G	60124358				Kit, Motor/SSD Gearbox Mounting Hardware	1	1
						Screw, Socket Head Cap (M8 x 1.25 x 65mm)	1	2
			Screw, Socket Head Cap (M8 x 1.25 x 60mm)	1	2			
			Sheet, Insert Parts Service	1	1			
		1180609	Package, Grease, Super Lube (1cc Tube) (Pkg. of 10)	10	1			

NOTE: A - Includes items 3-12, Super Lube Grease and Instruction Sheet. NOTE: Brake Lever Item #13 is "not" included.  
 B - Includes items 3-5, 7-11, Super Lube Grease and Instruction Sheet. NOTE: Brake Lever Item #13 is "not" included.  
 C - Includes items 7-12, Super Lube Grease and Instruction Sheet.  
 D - Includes items 14-18 and sold as a pair.  
 E - Before placing an order, it is recommended to call Invacare's Technical Service Department at (1-800-832-4707) to verify if the Motor, SSD Gearbox or the Motor/SSD Gearbox Assembly is needed.  
 F - Used for HSMTR High Speed Motor Option.  
 G - Includes items 22 and 23  
 H - When installing a new Motor or Motor/Gearbox Assembly, the Motor will need to be calibrated with Invacare Tech. Services. A LAK is required to complete the calibration.  
 I - Used for Models without HSMTR High Speed Motors