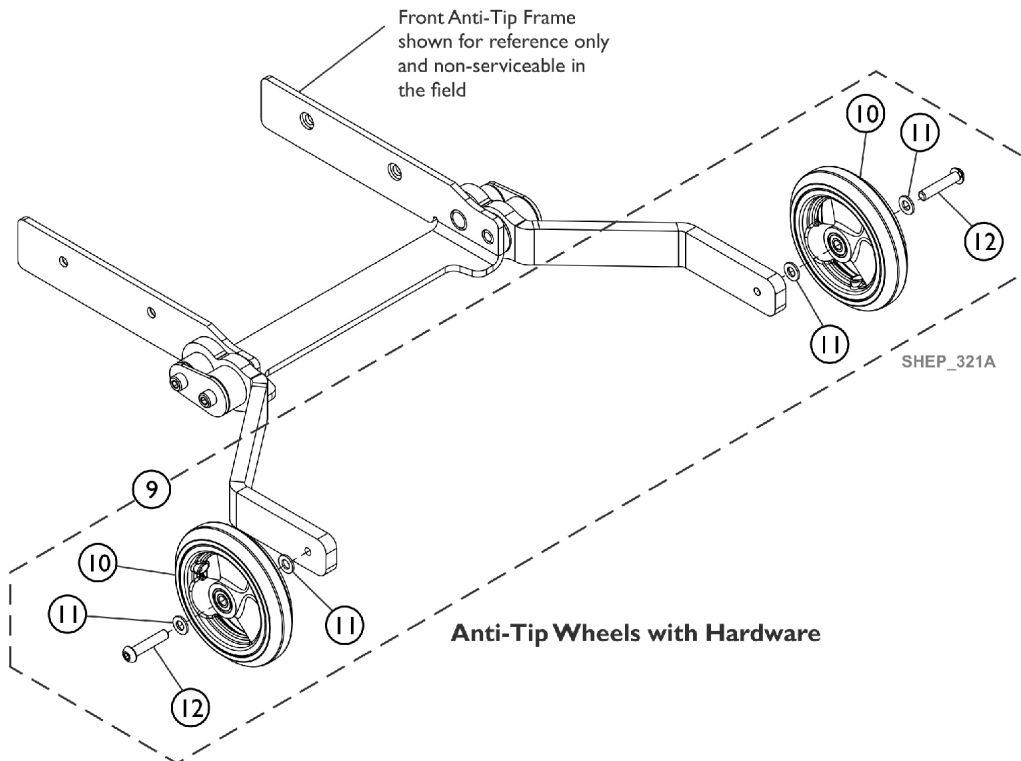
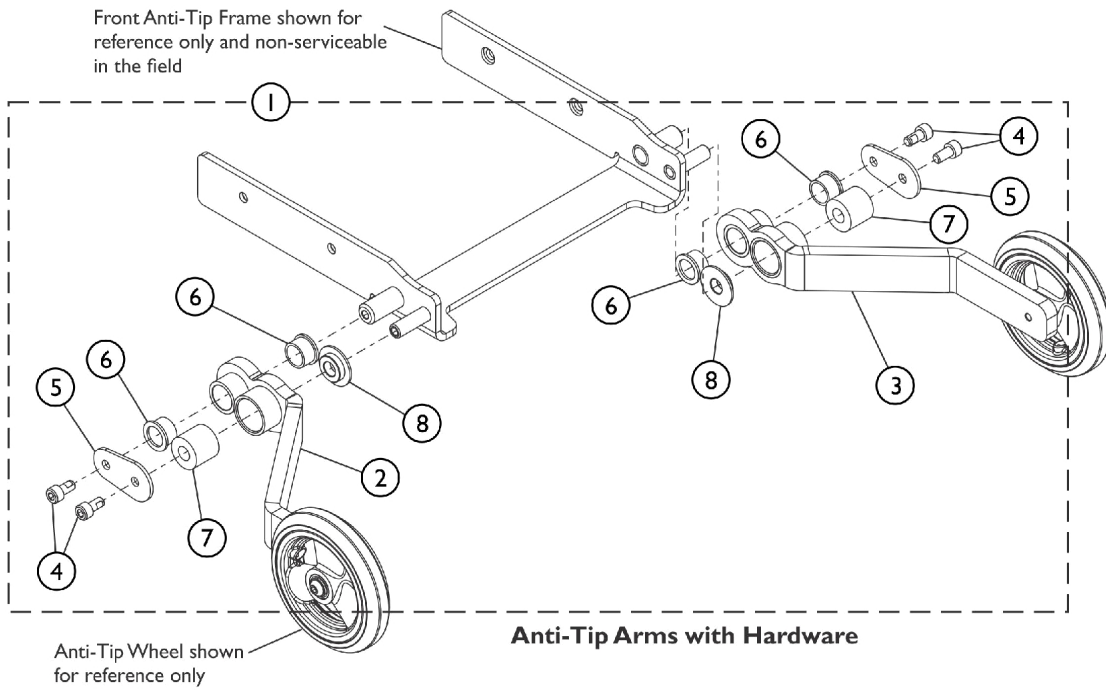


# Anti-Tip Assembly



## Anti-Tip Assembly

Item Number	Note	Part Number	Description	Quantity Per	
				Package	Assembly
1	A	60125828	Kit, Anti-Tip Arms with Hardware (Pair)	1	1
2			Anti-Tip Arm - Right	1	1
3			Anti-Tip Arm - Left	1	1
4			Screw, Socket Head Cap w/ Patch (M8 x 1.25 x 16mm)	1	4
5			Plate, Anti-Tip	1	2
6			Bushing, Flanged (22 x 18)	1	4
7			Insert, Shock Absorber	1	2
8			Stop, Anti-Tip Solid	1	2
9	B	60124330	Kit, Wheel, Anti-Tip w/ Hardware (5 x 1") (Pair)	1	1
10			Wheel Assembly, Composite, Urethane (5" x 1")	1	2
11			NLA - Washer, Steel (8.4mm x 16mm x 1.6mm)	1	4
12			Screw, Socket Button Head Cap (M8 x 1.25 x 40mm)	1	2
			Sheet, Insert Parts Service	1	1

NOTE: A - Includes items 2-8  
 B - Includes items 10-12