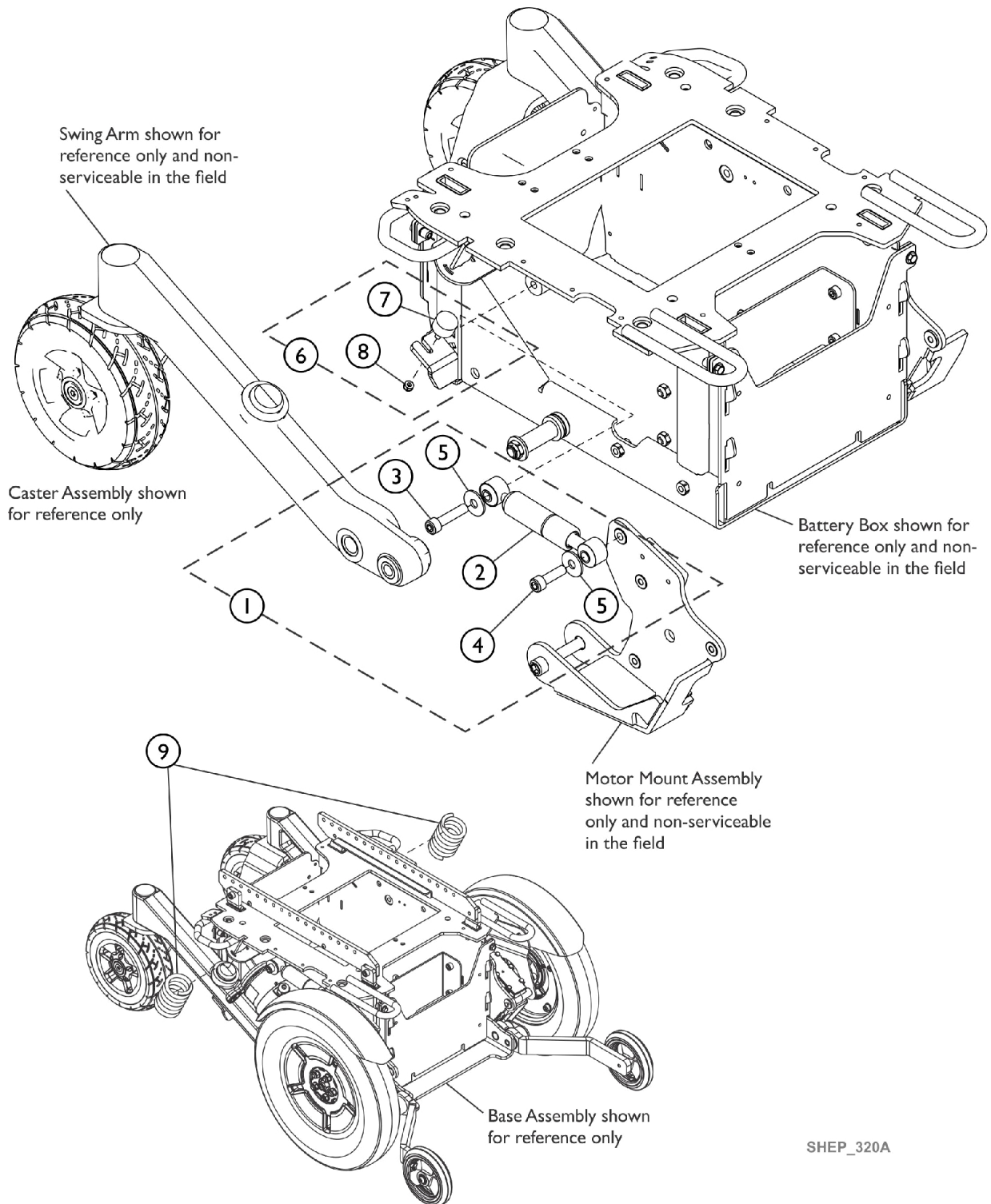


Suspension Assembly



SHEP_320A

Suspension Assembly

Item Number	Note	Part Number	Description	Quantity Per	
				Package	Assembly
1	A	60124329	Kit, Shock, Damper w/ Hardware (Pair)	1	1
2			Shock, Damper	1	2
3			Screw, Socket Head Cap (M10 x 1.5 x 45mm)	1	2
4			Screw, Socket Head Cap (M10 x 1.5 x 35mm)	1	2
5			Washer, Flat (10.5 x 20 x 2mm)	1	4
			Sheet, Insert Parts Service	1	1
6	B	60124328	Kit, Bumper, Rubber w/ Hardware (Pair)	1	1
7			Bumper, Rubber (M6 x 1mm)	1	2
8			Locknut (M6)	1	2
			Sheet, Insert Parts Service	1	1
9	C	60124350	Kit, Spring, Suspension, Black (Pair)	1	1
			Spring, Suspension, Black	1	2
			Sheet, Insert Parts Service	1	1

NOTE: A - Includes items 2-5
 B - Includes items 7 and 8
 C - It is recommended to replace Suspension Springs in Pairs.