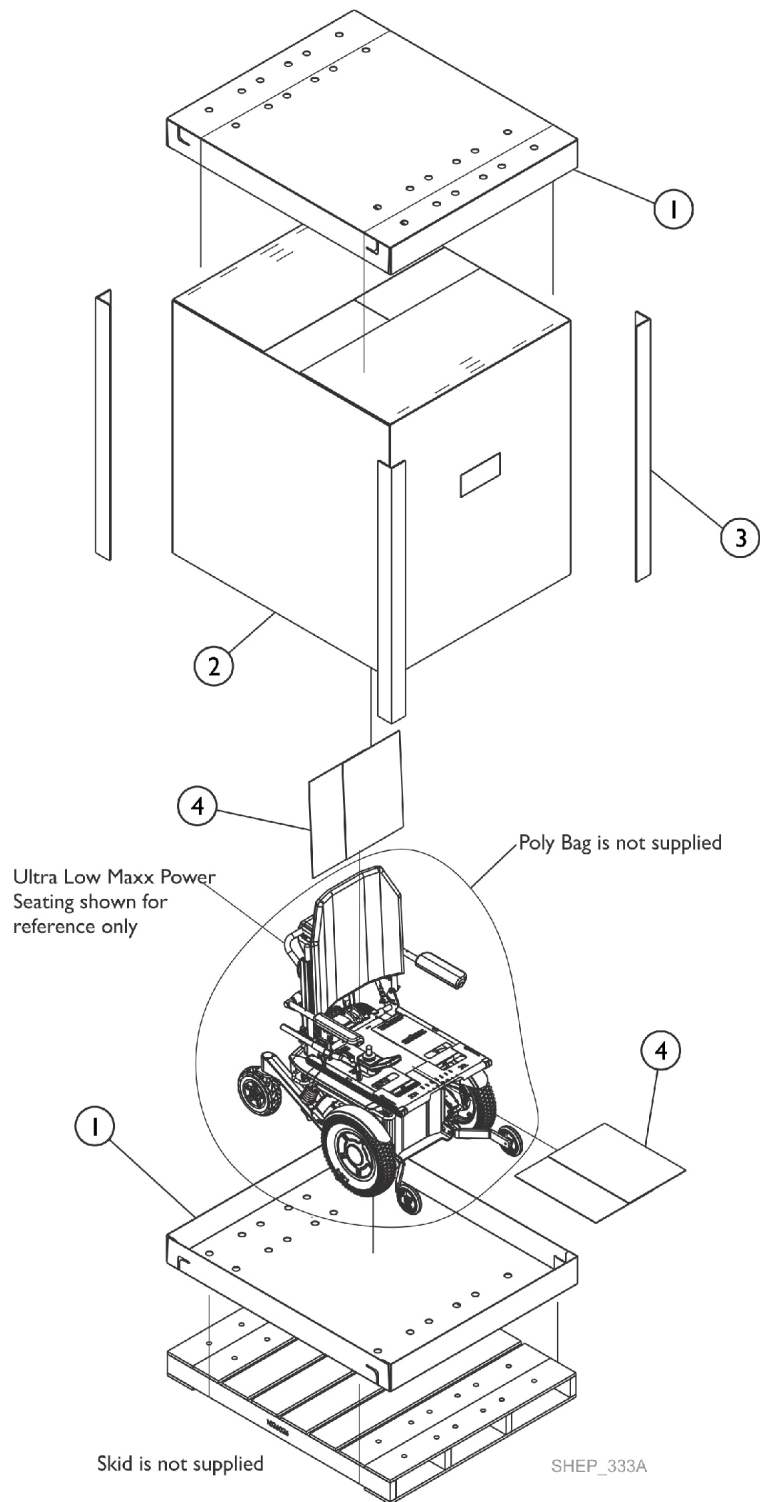


# Packaging, Literature and Decals



## Packaging, Literature and Decals

Item Number	Note	Part Number	Description	Quantity Per	
				Package	Assembly
1		1036027	Carton, Tray	1	2
2		1036028	Carton, Cover	1	1
3		1129590	Carton, Corner Reinforcement	1	4
4		40131X161	Insert, Plain Pad	1	3
	A	60124850	Decal, AVIVA, White	1	1
	A	60124851	Decal, AVIVA, Black	1	1
	A	60124852	Decal, AVIVA FX20, White	1	1

NOTE: A - Not Shown

When adjusting or replacing parts, please refer to your Owner's Manual for assistance. The following Owner's Manuals can be found at [www.invacare.com/homecare](http://www.invacare.com/homecare) under Literature Search for the following: 60101916 "AVIVA FX Base", 60101876 "Captain Seat", 60126082 "LiNX Control System REM500 Remote", 60126081 "LiNX Control System REM400 Touch Screen Remote", 60126083 "LiNX Control System Non-Expandable/Expandable Remotes". Service Manuals are: 60108795 "LiNX Control Systems", 60107431 "AVIVA FX Base", 60101900 "Captain Seat for Both AVIVA FX and TDXSP2".