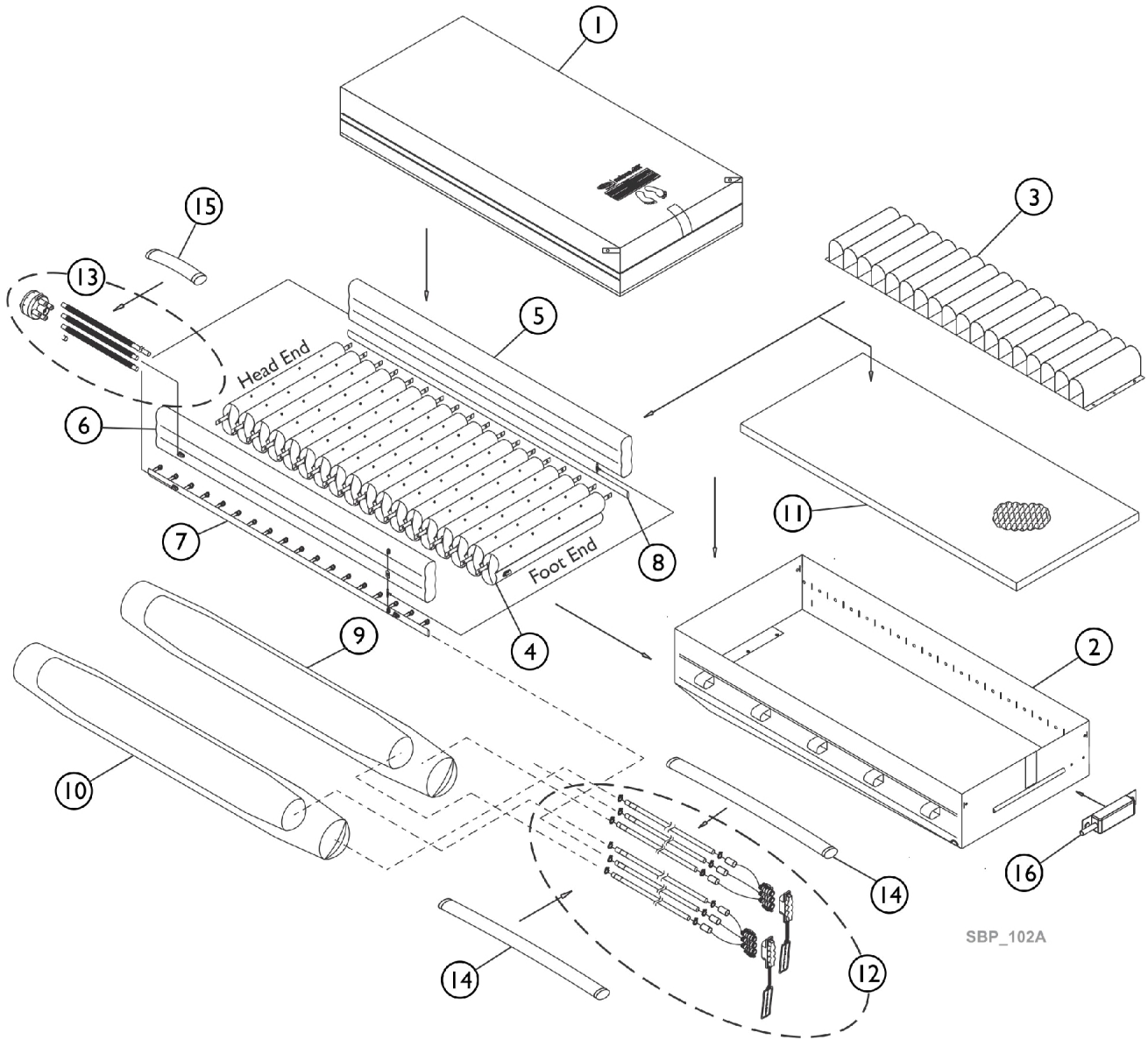


# MicroAIR 900 Mattress



SBP\_102A

## MicroAIR 900 Mattress

Item Number	Note	Part Number	Description	Quantity Per	
				Package	Assembly
1		60124653	Top Cover	1	1
2		60124654	Bottom Cover	1	1
3		60124218	MA900 36" & 42" Belt Set	1	1
4		60124652	MA900 36" Vent Cell	1	18
5		60124214	MA900 36" & 42" Left Side Bolster	1	1
6		60124215	MA900 36" & 42" Right Side Bolster	1	1
7		60124216	MA900 36" & 42" Right Side Rail	1	1
8		60124217	MA900 36" & 42" Left Side Rail	1	1
9		60124207	MA900 36" & 42" Left Turn Bladder	1	1
10		60124208	MA900 36" & 42" Right Turn Bladder	1	1
11		60124233	MA900 36" Foam Set	1	1
16		60124212	Mattress Muffler	1	1
	A	60124177	5A Fuse	1	1
	A	60124178	Air Filter - (MA800 / MA900)	1	1
	A	60124180	Fuse Holder	1	1
	A	60124192	Rubber Foot, M10 Series (MA800 / MA900)	1	1
	A	60124193	Foam Bumper Strip, M10 Series (MA800 / MA900)	1	1
	A	60124194	Hook Set (MA800 / MA900)	1	1
	A	60124636	Trio Coupling Cap and Tag Set (MA800 / MA900)	1	1
	A	60124637	Trio Coupling Connector, Cap and Tag Set (MA800 / MA900)	1	1
	A	60124639	1/2" Grey Tubing (MA800 / MA900)	1	1
	A	60124640	Trio Coupling (MA800 / MA900)	1	1
	A	60124213	Valve, One Way (SD / CRT)	1	1

NOTE: A - Not Shown

Item #12 (Connecting Tube Set), #13 (CPR Set), #14 (Hose Sleeve, Fire Resistance CV 56" x 5") and #15 (Sleeve Cover) are not available to order