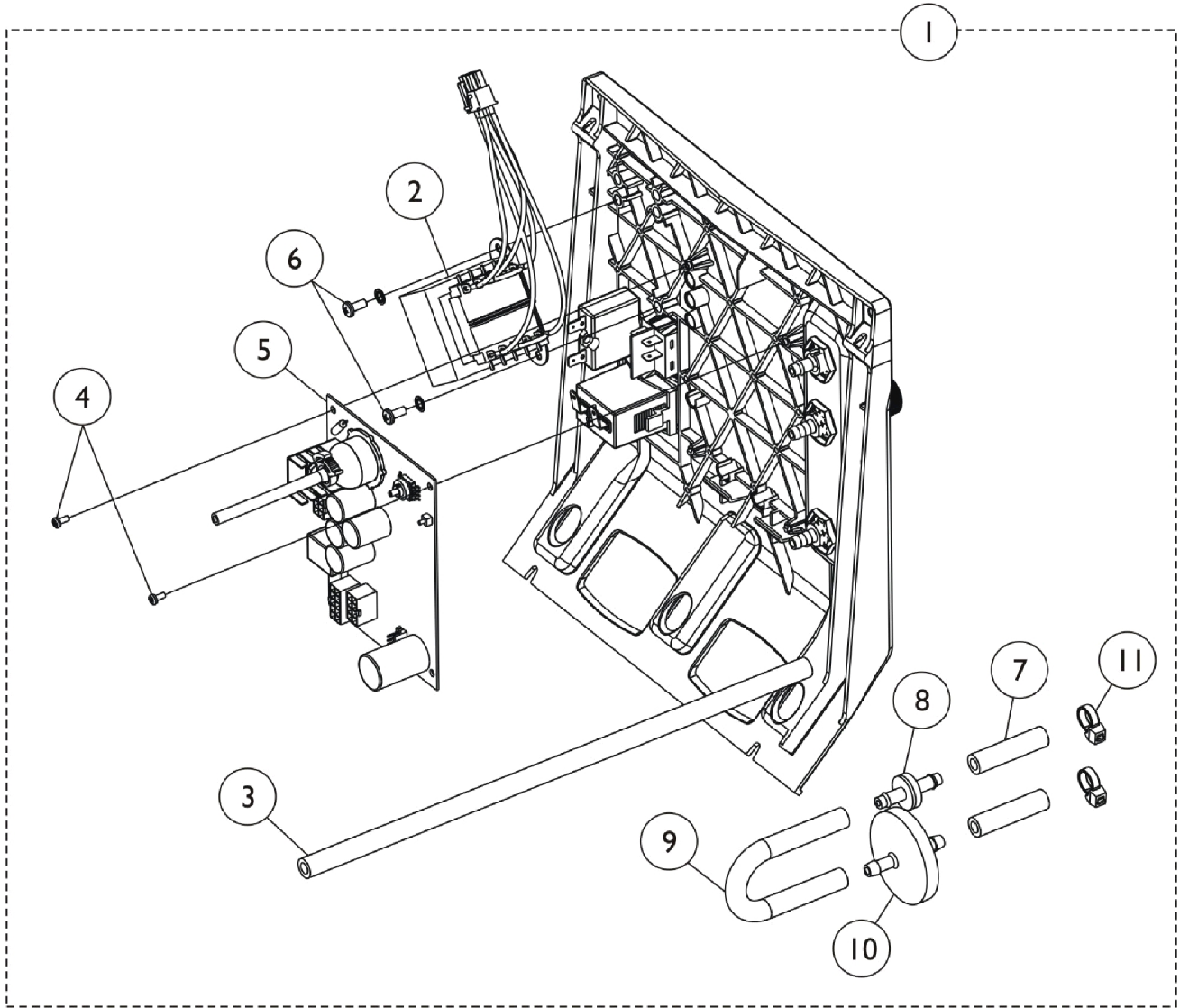


Control Panel - Rear View



Control Panel - Rear View

Item Number	Note	Part Number	Description	Quantity Per	
				Package	Assembly
1	B	1144268-NLA	NLA - Tech Only - Control Panel Assembly (230V/50HZ)	1	1
2	A	1105391-NLA	NLA - Transformer Kit	1	1
3		1108809	Tubing, PVC (1/4 x 12-3/4")	1	1
4		1146149	Screw, Phillips Pan Head (#4-24 x 1/4")	1	2
6		1102696	Screw, Phillips Pan Head SEMS (#8-32 x 3/8")	1	2
7		1110473	Tubing, PVC (1/4 x 1-3/4")	1	2
8		2000436	Check Valve, Barb (5/16")	1	1
9		1143144	Tubing, PVC (1/4 x 5")	1	1
10		P0750X030	Filter, Patient HEPA Outlet	1	1
11		2001682	Tie Wrap (8" L)	1	2
	C	1121280-NLA	NLA - Tech Only - Harness, Wire, 10 Pin NEC	1	1

NOTE: A - Kit includes Transformer, Nuts and Insulator.
 B - Includes Control Panel with 1-11 (Front View) and 2-9 (Rear View).
 C - Not Shown.

Item #5 is non-serviceable in the field.