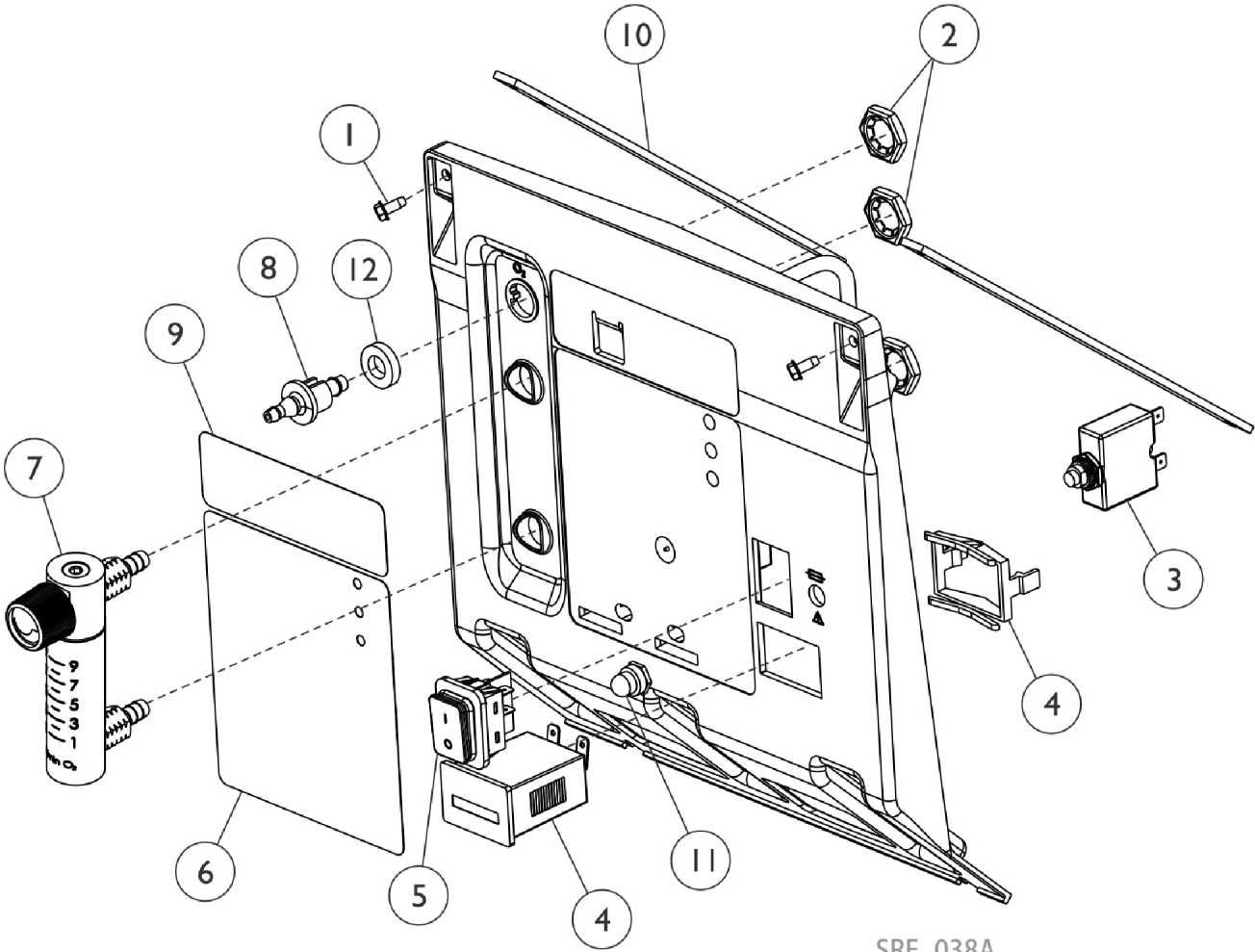


Control Panel - Front View



SRE_038A

Control Panel - Front View

Item Number	Note	Part Number	Description	Quantity Per	
				Package	Assembly
1		1128404	Screw, Phillips Hex Washer Head (#8-32 x 3/8")	1	2
2		2000507	Palnut (9/16-18)	1	3
3		1110824-NLA	NLA - Tech Only - Circuit Breaker (4 AMP)	1	1
4		2002939-NLA	NLA - Tech Only - Hour Meter Assembly with Clip	1	1
5		1139950	Switch, Powe On/Off	1	1
6	B	1143243	Label, Control Panel, English	1	1
6	B	1148046	Label, Control Panel, Spanish - IRC9LXO2AWQ	1	1
6	B	1148047	Label, Control Panel, French - IRC9LXO2AWQ	1	1
6	B	1148048	Label, Control Panel, German - IRC9LXO2AWQ	1	1
6	B	1148049	Label, Control Panel, Port/Brazil - IRC9LXO2AWQ	1	1
6	B	1148050	Label, Control Panel, Norwegian - IRC9LXO2AWQ	1	1
6	B	1148051	Label, Control Panel, Finnish - IRC9LXO2AWQ	1	1
6	B	1148052	Label, Control Panel, Danish - IRC9LXO2AWQ	1	1
6	B	1148053	Label, Control Panel, Italian - IRC9LXO2AWQ	1	1
6	B	1148054	Label, Control Panel, Polish - IRC9LXO2AWQ	1	1
6	B	1148055	Label, Control Panel, Czech - IRC9LXO2AWQ	1	1
6	B	1148056	Label, Control Panel, Greek - IRC9LXO2AWQ	1	1
6	B	1148057	Label, Control Panel, Dutch - IRC9LXO2AWQ	1	1
6	B	1148058	Label, Control Panel, Swedish - IRC9LXO2AWQ	1	1
6	B	1154322	Label, Control Panel, Lithuanian - IRC9LXO2AWQ	1	1
6	B	1154323	Label, Control Panel, Latvian - IRC9LXO2AWQ	1	1
6	B	1193331	Label, Control Panel, Estonian - IRC9LXO2AWQ	1	1
6	B	1194960	Label, Control Panel, Russian - IRC9LXO2AWQ	1	1
7	A	1145871-NLA	NLA - Tech Only - Flowmeter without Palnuts - IRC9LXO2AWQ	1	1
8		2000473	Connector, Barbed (1/4")	1	1
9		1145870	Decal, Logo - IRC9LXO2AWQ	1	1
10		1101591	Support, Control Panel	1	2
11		1112562-NLA	NLA - Tech Only - Seal, Circuit Breaker	1	1
12		1194537	Washer, Foam	1	1

NOTE: A - Palnuts are not included, refer to Item #2.
 B - Select label desired.