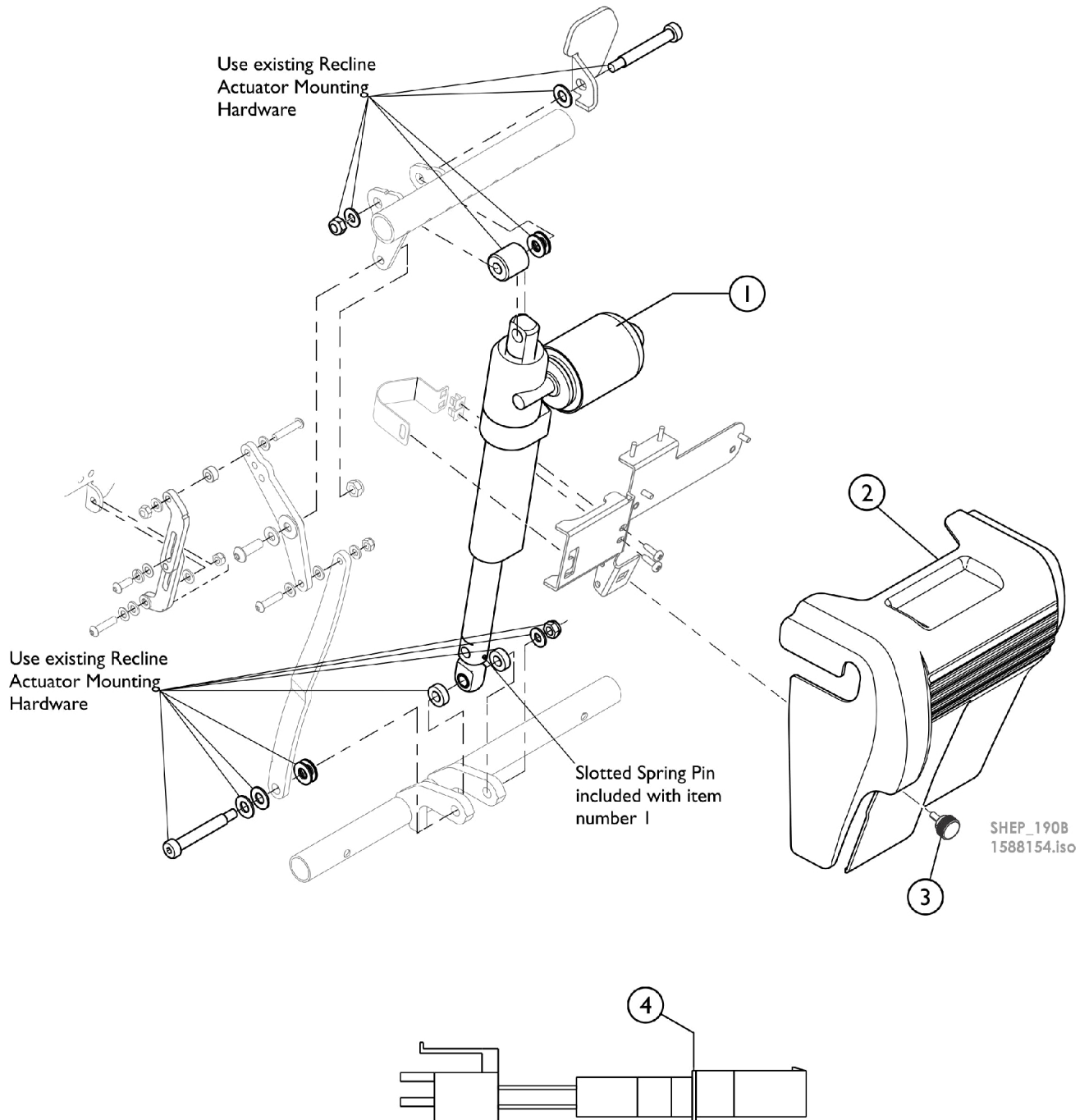


Ultra Low Maxx - Backrest Recliner Actuator, Shroud and Mounting Hardware (ULMR/ ULMTR)



Ultra Low Maxx - Backrest Recliner Actuator, Shroud and Mounting Hardware (ULMR/ ULMTR)

Item Number	Note	Part Number	Description	Quantity Per	
				Package	Assembly
1	A	60123530	Kit, Recline Actuator w/ Slotted Spring Pin	1	1
2		60102672	Kit, Shroud, Backrest Recline	1	1
3		60102721	Kit, Knob, Hand Wheel (M6 x 15)	1	1
4		60102546	Kit, Adapter Cable Assembly, DX2-ACT4 To Molex 2 Pin	1	1
			Adapter Cable Assembly, DX2-ACT4 To Molex 2 Pin	1	1
			Sheet, Insert Parts Service	1	1

NOTE: A - Use existing Recline Actuator Mounting Hardware when attaching the Recline Actuator.