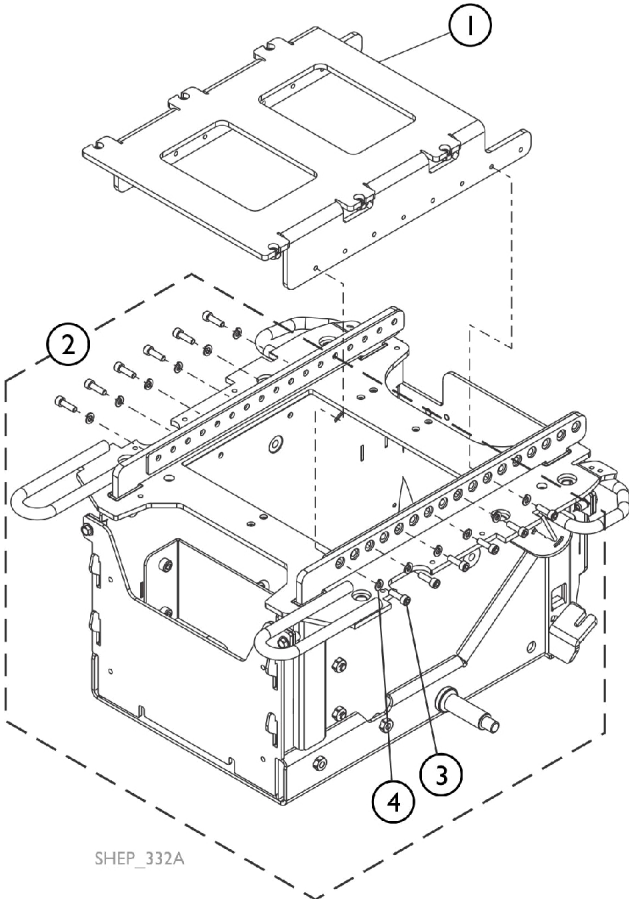
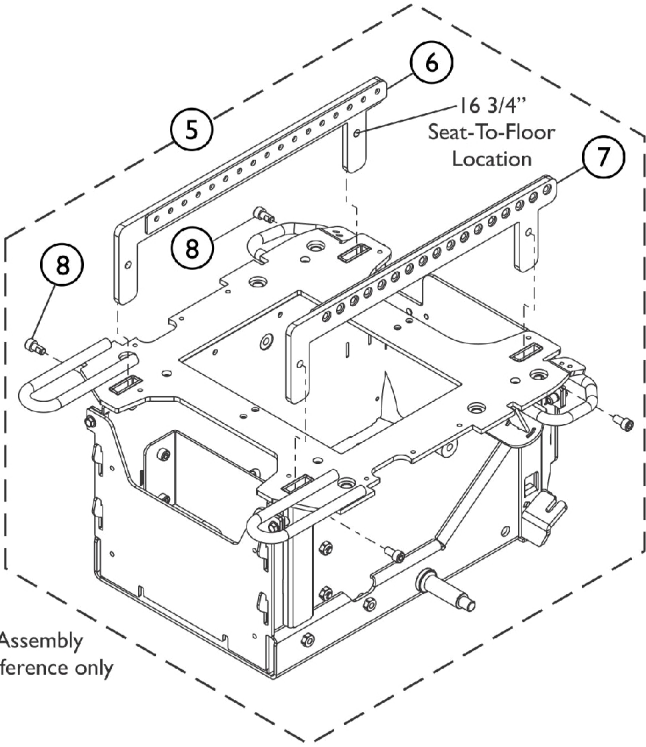


Ultra Low Maxx-"ELOW" - Main System Mounting and Interface Hardware (ULMR/ASBA-2)



SHEP_332A



Battery Box Assembly
shown for reference only

Ultra Low Maxx-"ELOW" - Main System Mounting and Interface Hardware (ULMR/ASBA-2)

Item Number	Note	Part Number	Description	Quantity Per	
				Package	Assembly
1		60124944	Kit, Non Power Seat Mounting Bracket	1	1
2	A	60124362	Kit, Seat Mounting Hardware, Low	1	1
3			Screw, Socket Head Cap (M6 x 1 x 20mm)	1	12
4			Washer, Split Lock, Black Zinc (M6)	1	12
			Sheet, Insert Parts Service	1	1
5	B	60124359	Kit, Seat Mounting Bracket Hardware, Low	1	1
6			Bracket, Seat Mounting, Low - Right	1	1
7			Bracket, Seat Mounting, Low - Left	1	1
8			Screw, Socket Head Cap w/ Patch (M8 x 1.25 x 16mm)	1	4
			Sheet, Insert Parts Service	1	1

NOTE: A - Includes items 3 and 4
B - Includes items 6-8