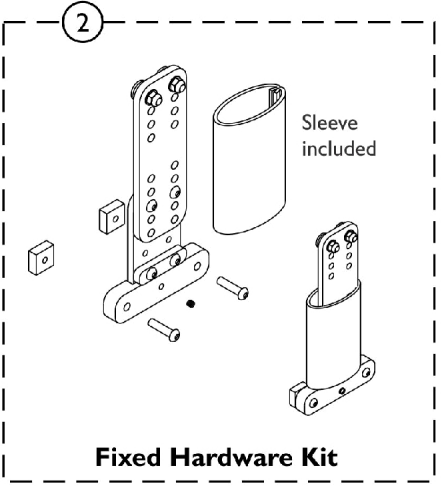
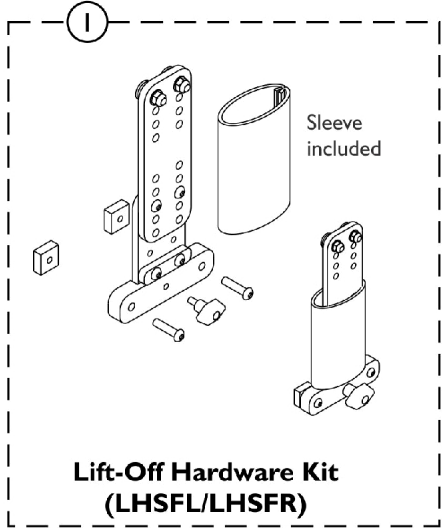
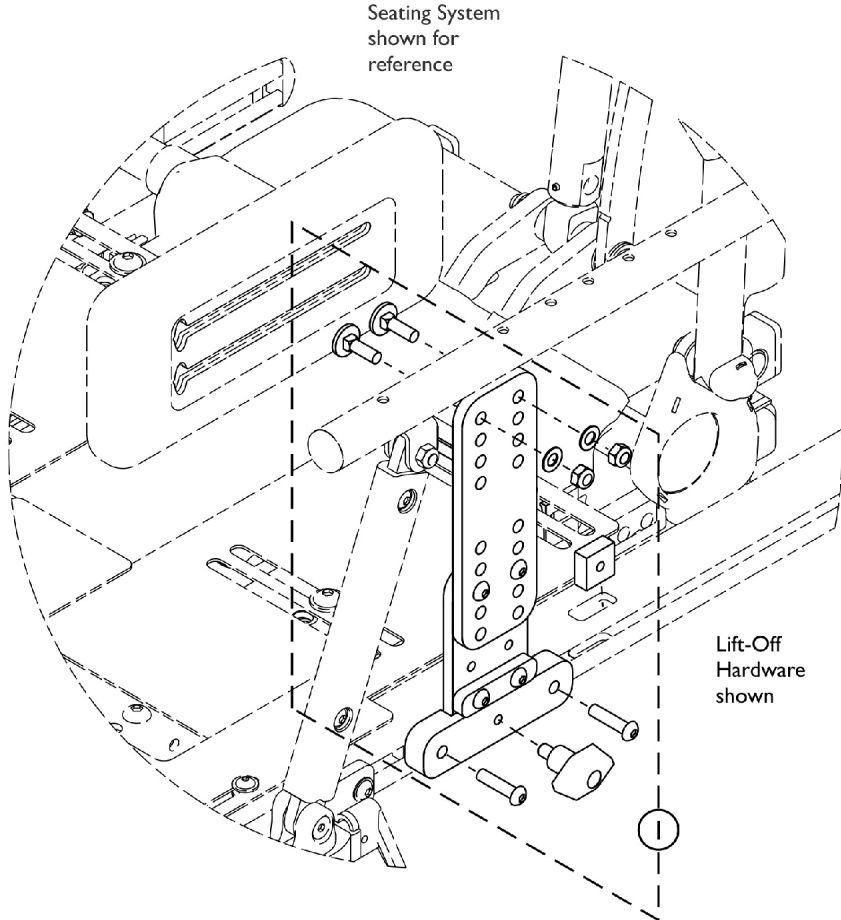


# Lift-Off (LHSFL/ LHSFR) and Fixed Lateral Hip Support Hardware - Right/Left



## Lift-Off (LHSFL/ LHSFR) and Fixed Lateral Hip Support Hardware - Right/Left

Item Number	Note	Part Number	Description	Quantity Per	
				Package	Assembly
1	A	60105197	Kit, Lift-Off Lateral Hip Support Hardware - Right/Left	1	1
2	A	60105196	Kit, Fixed Lateral Hip Support Hardware - Right/Left	1	1

NOTE: A - Used for either the Right or Left Side of the Seating System.