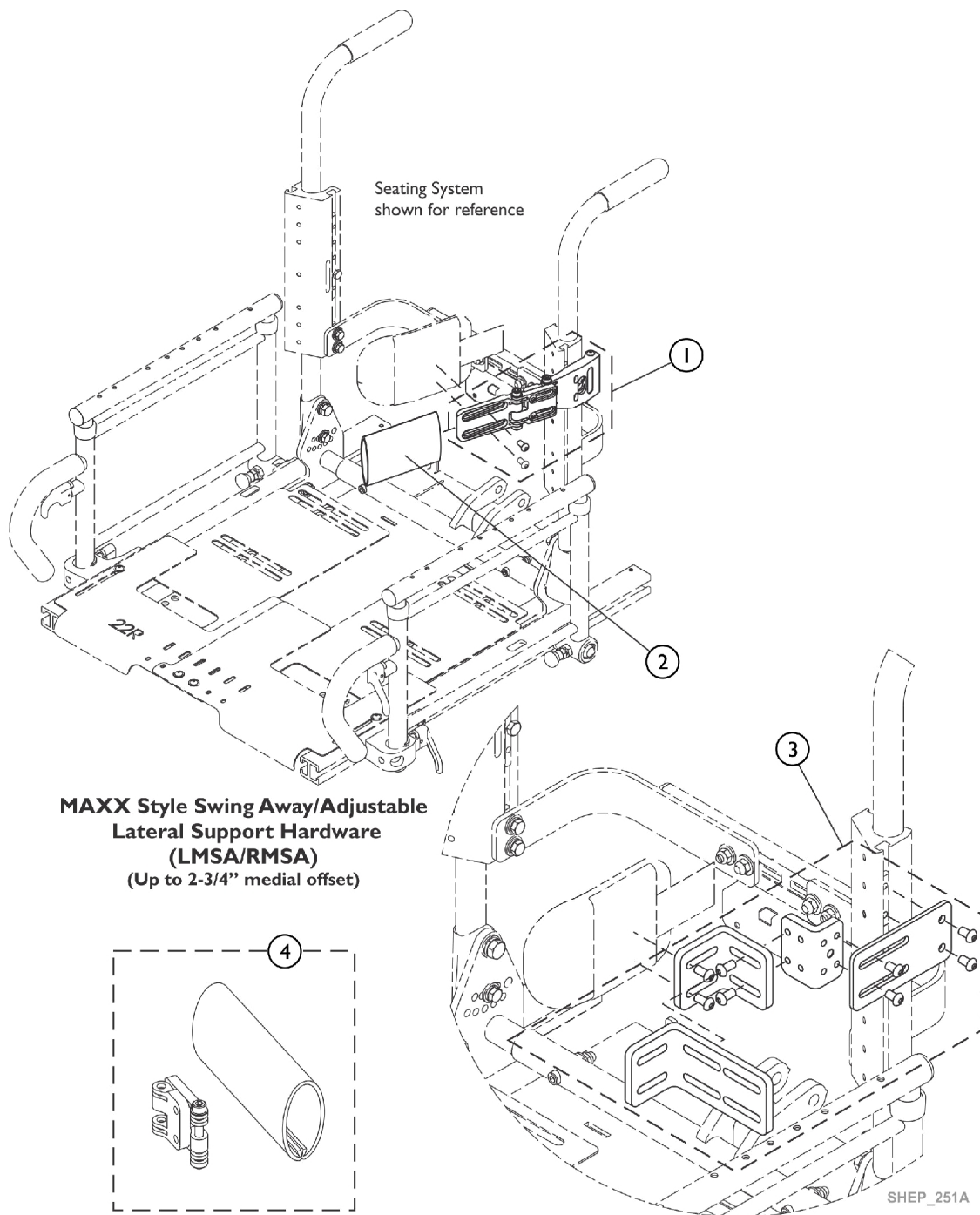


Elbow Block/ Trunk/ Lateral Pad Assembly Fixed/Swing Away Hardware (FLATL/ FLATR/ LMSA/ RMSA)



**MAXX Style Swing Away/Adjustable
Lateral Support Hardware
(LMSA/RMSA)**
(Up to 2-3/4" medial offset)

**Lateral Link Extension, Telescoping
(ALT2)**
(up to 5-1/2" medial offset)

**Fixed Lateral Support Hardware
(FLATL/R)**

Elbow Block/ Trunk/ Lateral Pad Assembly Fixed/Swing Away Hardware (FLATL/ FLATR/ LMSA/ RMSA)

Item Number	Note	Part Number	Description	Quantity Per	
				Package	Assembly
1		60105132	Kit, Swingaway/Adjustable Lateral Support Hardware - Left	1	1
1		60105131	Kit, Swingaway/Adjustable Lateral Support Hardware - Right	1	1
2		60105130	Sleeve, Lateral	1	1
3		60105129	Kit, Fixed Lateral Support Hardware - Right/Left	1	1
4		60105128	Kit, Lateral Link Extension, Telescoping (Pair) (up to 5-1/2" medial offset)	2	1