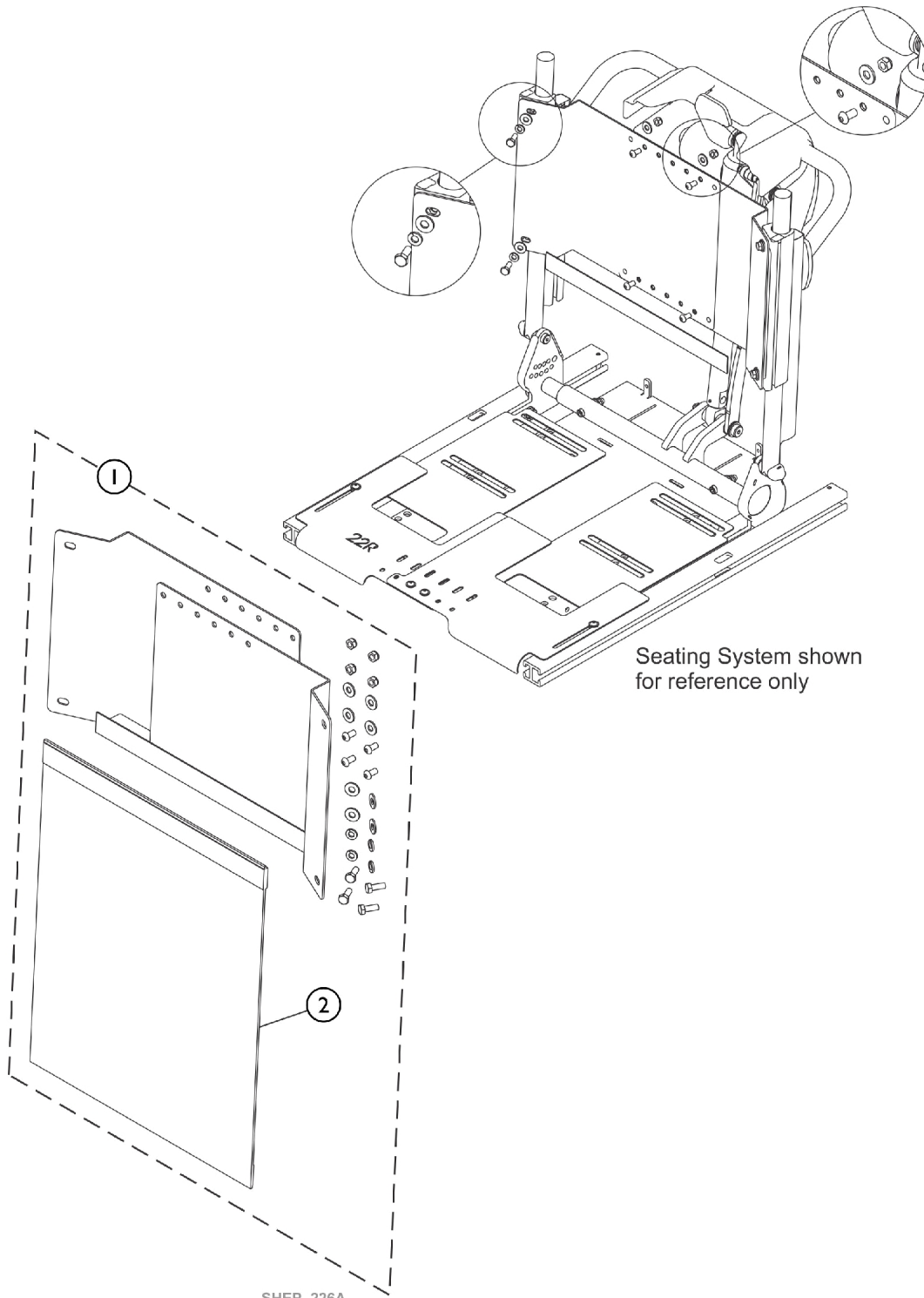


Recessed Planar Back Assembly



Recessed Planar Back Assembly

Item Number	Note	Part Number	Description	Quantity Per	
				Package	Assembly
1		60105189	Recessed Planar Back Assembly (16" Wide)	1	1
1		60105190	Recessed Planar Back Assembly (17" Wide)	1	1
1		60105191	Recessed Planar Back Assembly (18" Wide)	1	1
1		60105192	Recessed Planar Back Assembly (19" Wide)	1	1
1		60105193	Recessed Planar Back Assembly (20" Wide)	1	1
1		60105194	Recessed Planar Back Assembly (21" Wide)	1	1
1		60105195	Recessed Planar Back Assembly (22" Wide)	1	1
2		See Chart	Item #2 Privacy Flap	1	1

#2 Privacy Flap

Chair Width	Material Width	Description	Part Number
16-17" Wide	13" Wide	Privacy Flap (13" W x 16" H)	PFLAP-S
18-19" Wide	15" Wide	Privacy Flap (15" W x 16" H)	PFLAP-M
20-21" Wide	17" Wide	Privacy Flap (17" W x 16" H)	PFLAP-L
22" Wide	19" Wide	Privacy Flap (19" W x 16"H)	Currently Not Available