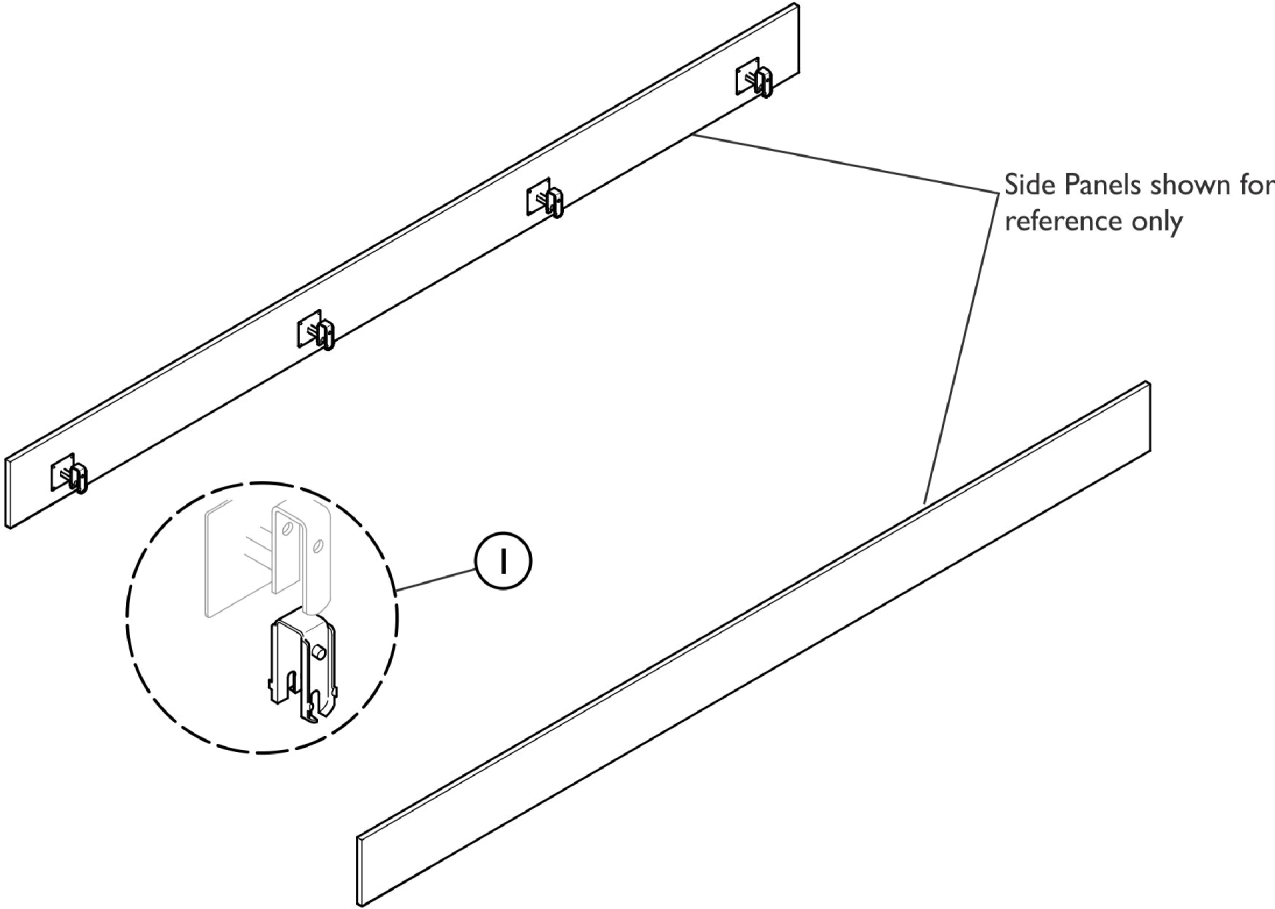


Side Panels



SBP_073A

Side Panels

Item Number	Note	Part Number	Description	Quantity Per	
				Package	Assembly
1		SP421843-7035	Insert, Plastic (4 ea.)	4	1