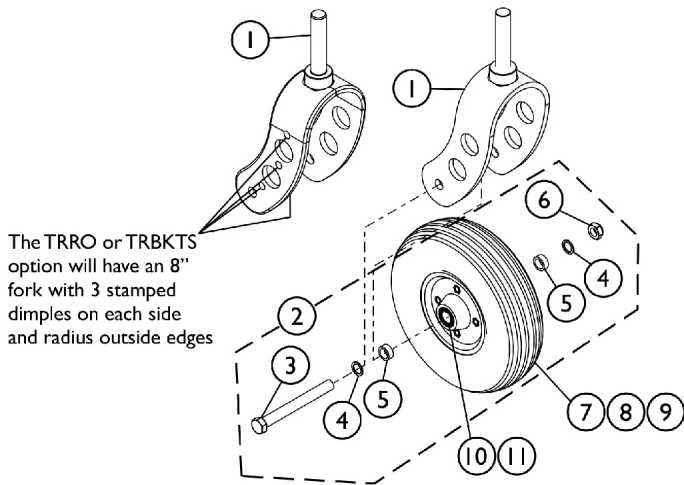
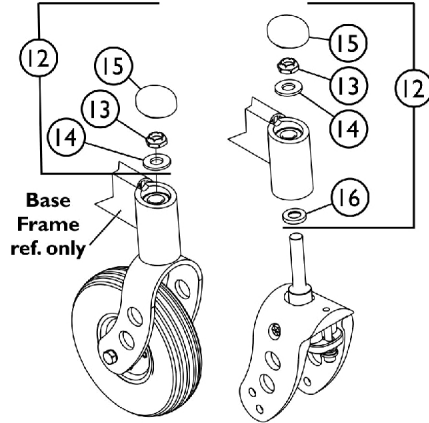


# 8" and 9" Caster Assemblies

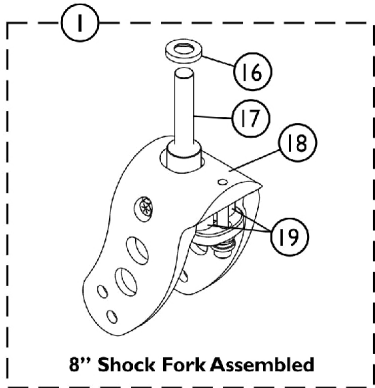


8" Caster Hardware

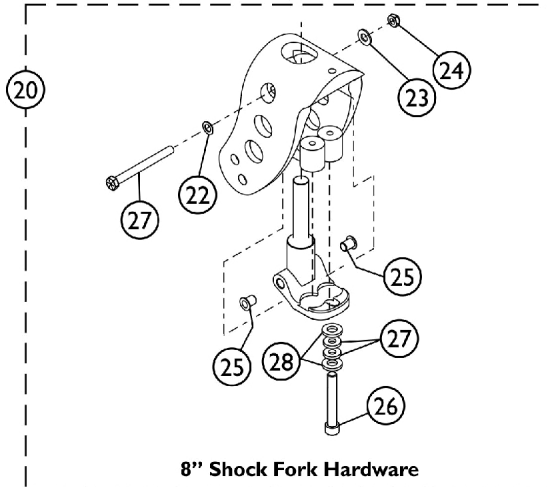


8" Standard Fork  
8" Shock Fork

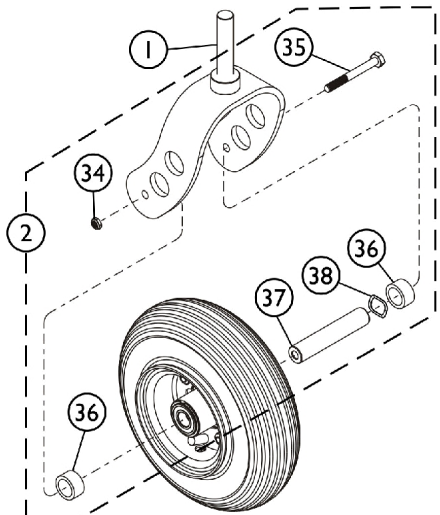
Fork Mounting Hardware



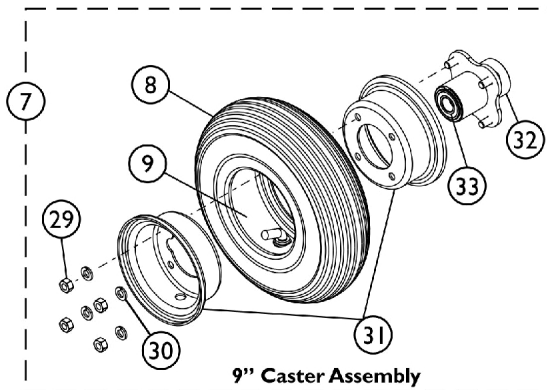
8" Shock Fork Assembled



8" Shock Fork Hardware



9" Caster Hardware



9" Caster Assembly

## 8" and 9" Caster Assemblies

Item Number	Note	Part Number	Description	Quantity Per	
				Package	Assembly
1	H	1104409	Fork Assembly, Standard (8" Caster)	1	1
1	H	1134471	Fork Assembly, Standard (8" Caster) TRRO/TRBKTS	1	1
1	H	1104410	Fork Assembly, Standard (9" Caster)	1	1
1		1106423	Fork Assembly, Shock (8" Caster)	1	1
2	A	1104419	Hardware, 8" Caster Standard/ Shock Fork (Per Side)	1	1
2	I	1186352	Hardware, 9" Caster, Standard Fork (Per Side)	1	1
3		1070400	Screw, Hex Head (7/16-20 x 4")	1	1
4		1025724	Washer, Steel (15/32 x 5/8 x 3/64")	1	2
5		1101756	Spacer (7/16 x 5/8 x 5/8")	1	2
6		1025734	Locknut (7/16-20)	1	1
7	J	1101108	Wheel Assembly w/ Bearings, Semi-Pneumatic (8" x 2-1/4")	1	1
7	K	60108616	Kit, Wheel Assembly w/ Bearings, Semi-Pneumatic (8" x 2-1/4")	1	1
7	J	1002002	Wheel Assembly w/ Bearings, Pneumatic (8" x 2")	1	1
7	K	60108617	Kit, Wheel Assembly w/ Bearings, Pneumatic (8" x 2")	1	1
7	B	1101157	Wheel Assembly w/ Bearings, Pneumatic (9" x 2-3/4")	1	1
7	C	1101158	Wheel Assembly w/ Bearings, Pneumatic w/ Flat Free (9" x 2-3/4")	1	1
8		40176X034	Tire, Pneumatic (8" x 2")	1	1
8		1101155	Tire, Pneumatic, Grey (9" x 2-3/4")	1	1
8		1101106	Tire, Semi-Pneumatic, Grey (8" x 2-1/4")	1	1
8	G	1101156	Tire w/ Foam Fill Insert, Grey (9" x 2-3/4")	1	1
9		1034942	Tube, Pneumatic Inner (8 x 2")	1	1
9		1027417	Tube, Pneumatic Inner (9 x 2-3/4")	1	1
10		1006049	Bearing (7/16")	1	2
11		1020592	Spacer, Bearing (7/16 x 5/8 x 1-3/4")	1	1
12	D	1104451	Hardware, Caster Fork Mounting	1	1
12	E	1106227	Hardware, Caster/ Shock Fork Mounting	1	1
13		1028550	Locknut (5/8-18)	1	1
14		1041444	Washer, Nylon (5/8 x 1-5/16 x 1/8")	1	1
15		1101737	Cap, End, Tube, Black	1	1
16		1106068	Spacer, Stem (5/8 x 1-1/8 x 3/16")	1	1
17		1104853-NLA	NLA - Stem, Shock Fork, Black (6" and 8")	1	1
18		1104851	Fork, Shock (6" and 8")	1	1
19		1104879	Spring, Polyurethane, Yellow	1	2
20		1104855	Hardware, Shock Fork (6" and 8")	1	1
21		1025705-NLA	NLA - Screw, Hex Head (5/16-24 x 3-1/4")	1	1
22		1016652	Washer (5/16 x 9/16 x 1/32")	1	2
23		1026032	Washer, Nylon (11/32 x 11/16 x 1/16")	1	1
24		1026906-NLA	NLA - Locknut (5/16-24)	1	1
25		1093978-NLA	NLA - Flange (5/16" I.D.)	1	2
26		1106223	Screw, Socket Head (3/8-16 x 2-1/2")	1	1

## 8" and 9" Caster Assemblies

Item Number	Note	Part Number	Description	Quantity Per	
				Package	Assembly
27		1106225-NLA	NLA - Washer, Nylon (5/16 x 11/16 x 1/8")	1	2
28		1069548-NLA	NLA - Washer, Steel (7/16 x 13/16 x 1/8")	1	2
29		1024426-NLA	NLA - Nut, Hex (5/16-24)	1	4
30		1024442-NLA	NLA - Washer, Lock (5/16 x 9/16 x 1/16")	1	4
31	F	1013460-NLA	NLA - Kit, Rim, Outer/Inner Half w/ Hardware (10")	1	1
31	F	1025399-NLA	NLA - Kit, Rim, Outer/Inner Half w/ Hardware (9")	1	1
32		1013466	Hub with Bearings Assembly	1	1
33		1015610	Bearing with Grip Ring (5/8")	1	2
<p>NOTE: A - Includes items 3-6            B - Includes items 8-9 and 29-33            C - Includes items 8 and 29-33            D - Includes items 13-15            E - Includes items 13-16            F - Includes items 29 and 30            G - Insert molded to tire            H - 400 Lb. weight limit and under            I - Includes items 34-38. Hardware sold complete. Refer to service manual part #1104849 for installation instructions located at <a href="http://www.invacare.com">www.invacare.com</a> under Product Literature Search.            J - Used Before 07/08/19. Wheel Tire color is Grey            K - Used After 07/07/19. Wheel Tire color is Black</p>					