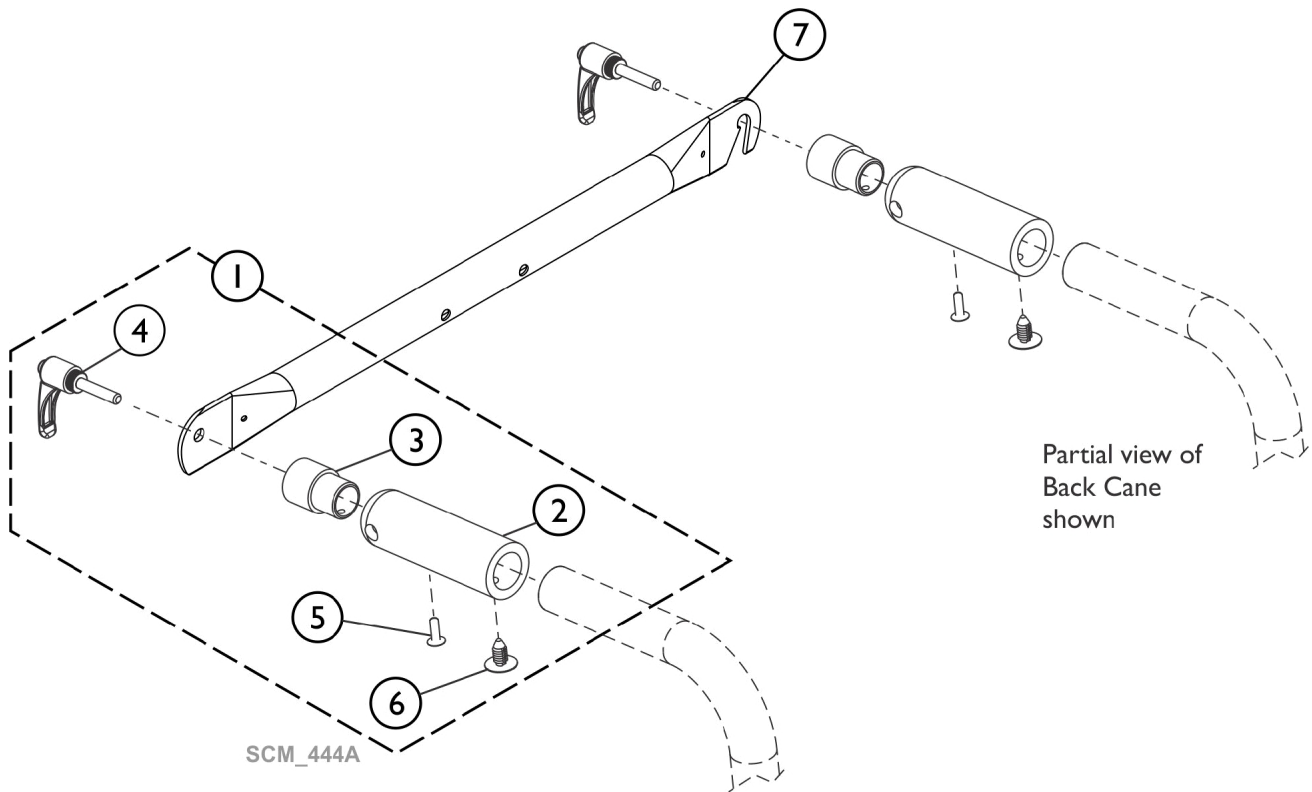


Upholstery - Back Brace and Hardware



Upholstery - Back Brace and Hardware

Item Number	Note	Part Number	Description	Quantity Per	
				Package	Assembly
1		1170661	Kit, Hardware, Back Canes, Adjustable Angle w/ Backbrace	1	1
2			Grip, Hand, Foam (4")	1	1
3			Insert, Backbrace	1	1
4			Lever, Indexable	1	1
5			Screw, Phillips Pan Head (M4.8 X 16mm)	1	1
6			Panel Fastener, Snap In	1	1
7		See Chart	#7. Back Brace	1	1

#7 Back Brace

Back Widths	Back Cane Style (Back Brace and Indexable Lever comes standard on model picks listed below no matter what Back Upholstery is selected).	ADJTENS OPTION Selected (Back Brace and Indexable Lever will be added on Back Cane Model Picks listed below.)	Part Number
15" W	HDPG AABH1216 AABH1519 AABH1620	FBH/FBHF, HD FBH/FBHF, ABHPH, ABH, AABH-Straight, AABH-8 Degree Bend	1586520-0601
16" W	HDPG AABH1216 AABH1519 AABH1620	FBH/FBHF, HD FBH/FBHF, ABHPH, ABH, AABH-Straight, AABH-8 Degree Bend	1586521-0601
17" W	HDPG AABH1216 AABH1519 AABH1620	FBH/FBHF, HD FBH/FBHF, ABHPH, ABH, AABH-Straight, AABH-8 Degree Bend	1586522-0601
18" W	HDPG AABH1216 AABH1519 AABH1620	FBH/FBHF, HD FBH/FBHF, ABHPH, ABH, AABH-Straight, AABH-8 Degree Bend	1586523-0601
19" W	HDPG AABH1216 AABH1519 AABH1620	FBH/FBHF, HD FBH/FBHF, ABHPH, ABH, AABH-Straight, AABH-8 Degree Bend	1586524-0601

Upholstery - Back Brace and Hardware

#7 Back Brace

Back Widths	Back Cane Style (Back Brace and Indexable Lever comes standard on model picks listed below no matter what Back Upholstery is selected).	ADJTENS OPTION Selected (Back Brace and Indexable Lever will be added on Back Cane Model Picks listed below.)	Part Number
20" W	HDPG AABH1216 AABH1519 AABH1620	FBH/FBHF, HD FBH/FBHF, ABHPH, ABH, AABH-Straight, AABH-8 Degree Bend	1586525-0601
22" W	HDPG AABH1216 AABH1519 AABH1620	FBH/FBHF, HD FBH/FBHF, ABHPH, ABH, AABH-Straight, AABH-8 Degree Bend	1586526-0601
24" W	HDPG AABH1216 AABH1519 AABH1620	FBH/FBHF, HD FBH/FBHF, ABHPH, ABH, AABH-Straight, AABH-8 Degree Bend	1586527-0601