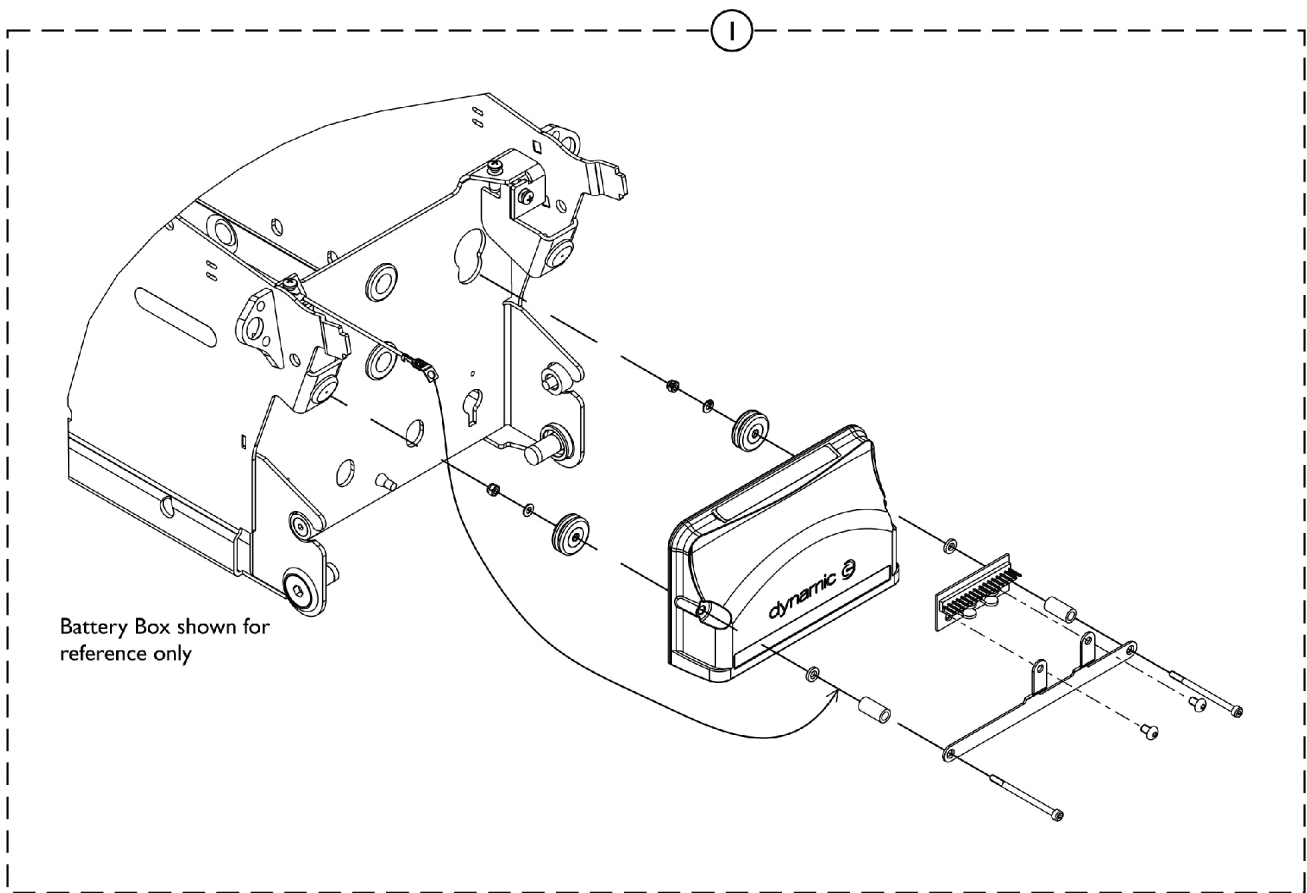


LiNX Power Module 120/120-75 w/ Light Board and Mounting Hardware

NOTE: When installing a new Power Module, the Motors will need to be calibrated with Invacare Tech. Services. A LAK is required to complete the calibration.



SHEP_197A

LiNX Power Module 120/120-75 w/ Light Board and Mounting Hardware

NOTE: When installing a new Power Module, the Motors will need to be calibrated with Invacare Tech. Services. A LAK is required to complete the calibration.

Item Number	Note	Part Number	Description	Quantity Per	
				Package	Assembly
1	B	60102486	Kit, LiNX Power Module 120 w/ Light Board and Mounting Hardware	1	1
1	A,B	60108634	Kit, LiNX Power Module 120-75 w/ Light Board and Mounting Hardware	1	1
NOTE: A - Power Module used with HSMTR High Speed Motor Option. B - When installing a new Power Module, the Motors will need to be calibrated with Invacare Tech. Services. A LAK is required to complete the calibration.					