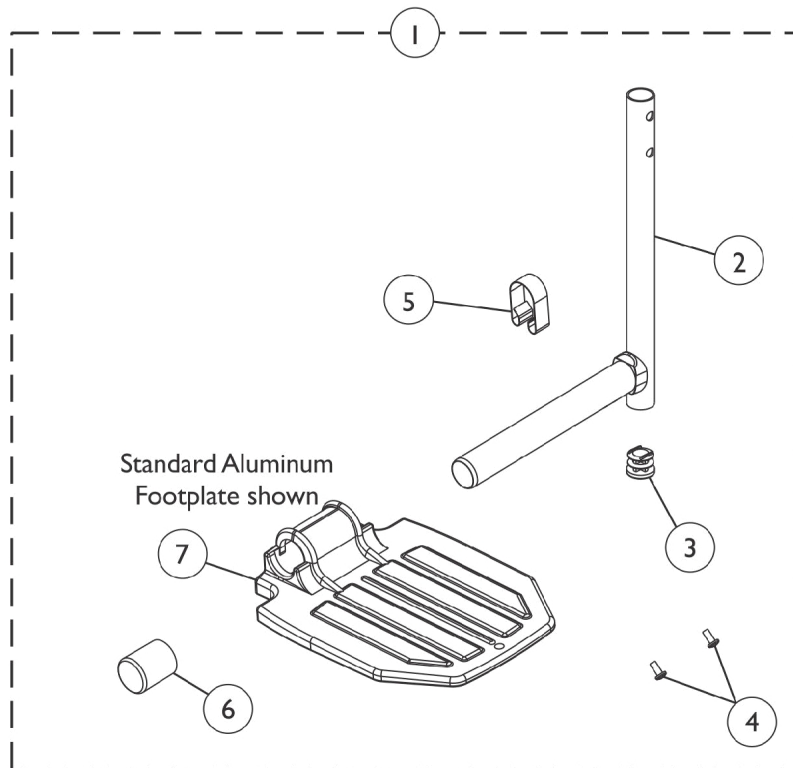
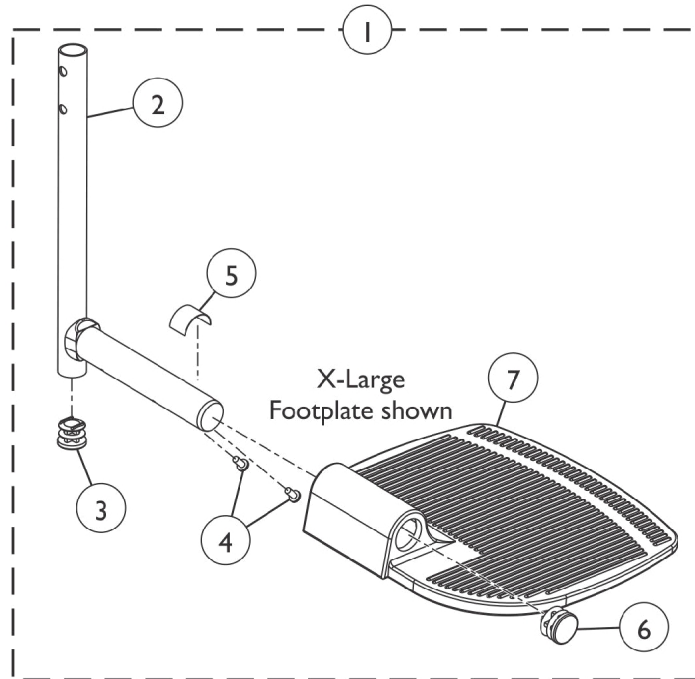


Pivot Slide Tube with Footplate

GT93H and T93H Series Footrest

NOTE: Pivot Slide Tube and Footplate is attached to Footrest Support using the spring button or bolt thru hardware. See chart titled, "Pivot Slide Tube Attaching Hardware."



Pivot Slide Tube with Footplate

GT93H and T93H Series Footrest

NOTE: Pivot Slide Tube and Footplate is attached to Footrest Support using the spring button or bolt thru hardware. See chart titled, "Pivot Slide Tube Attaching Hardware."

Item Number	Note	Part Number	Description	Quantity Per	
				Package	Assembly
1	A	See Chart	Footrest Pivot Slide Tube with Footplate	1	1
2		1111277	Pivot/Slide Tube w/ Plug Button, Footrest, Black	1	1
2		1111278-NLA	NLA - Pivot/Slide Tube w/ Plug Button, Footrest, Chrome	1	1
3		1027097	Plug Button, Black (3/4")	1	1
4		40120X001	Screw, Phillips Pan Head (#8-32 x 3/8")	1	2
5	D	1006981	Spring, Tension	1	1
5	B,E	1036123	Spring, Leaf	1	1
6		1016346	Cap, End, Tube, Black (7/8")	1	1
6	B	1027095	Plug Button, Black (7/8")	1	1
7		1015178	Footplate, Composite, Black (6" W x 7-53/64" L)	1	1
7	F	1192674	Footplate, Composite, Black (6" W x 7-53/64" L)	1	1
7		44200X059	Footplate, Aluminum, Small, Black (6-3/4" W x 6" L)	1	1
7		44200X027	Footplate, Aluminum, Medium, Black (7-3/4" W x 6" L)	1	1
7	B	44200X025	Footplate, Aluminum, Extra Large, Black - Right (8" W x 8-1/2" L)	1	1
7	B	44200X026	Footplate, Aluminum, Extra Large, Black - Left (8" W x 8-1/2" L)	1	1
	C	See Chart	Bolt Through and Spring Button Kits	1	1

NOTE: A - Includes items 2-7.
 B - For use on extra large footplate.
 C - Not Shown.
 D - Use with Standard Footplates.
 E - Use one or more leaf springs per assembly as required such that footplate may be moved by hand to the up-right position and remain in place.
 F - Used for GT93HC model Front Riggings and T93HC model Front Riggings as of 5/16/19.

Pivot Slide Tube with Footplate

GT93H and T93H Series Footrest

NOTE: Pivot Slide Tube and Footplate is attached to Footrest Support using the spring button or bolt thru hardware. See chart titled, "Pivot Slide Tube Attaching Hardware."

Footrest Pivot Slide Tube with Footplate

Model Number	Chair Width	Footplate Style	Frame Side	Part Number
T93HSA T93HA - Black	14-15"	Aluminium	Right	1110361
T93HSA T93HA - Black	14-15"	Aluminium	Left	1110362
T93HSA T93HA - Chrome	14-15"	Aluminium	Right	1110363-NLA
T93HSA T93HA - Chrome	14-15"	Aluminium	Left	1110364-NLA
GT93HA/ T93HA T93HAB Black	16-22"	Aluminium	Right	1111285
GT93HA/ T93HA T93HAB Black	16-22"	Aluminium	Left	1111286
T93HA T93HAB - Black	16-22"	Aluminium	Right	1111287-NLA See Note(s) A
T93HA T93HAB - Black	16-22"	Aluminium	Left	1111288-NLA See Note(s) A
T93HA T93HAB - Chrome	14-15"	Extra Large	Right	1110346-NLA
T93HA T93HAB - Chrome	14-15"	Extra Large	Left	1110347-NLA
T93HA - Black	16-22"	Extra Large	Right	1110344
T93HA - Black	16-22"	Extra Large	Left	1110345
T93HC T93HCB - Black	16-22"	Composite	Right	1111289
T93HC T93HCB - Black	16-22"	Composite	Left	1111290
GT93HC - Black	16-22"	Composite	Right	1194329
GT93HC - Black	16-22"	Composite	Left	1194330
T93HC T93HCB - Chrome	16-22"	Composite	Right	1194329
T93HC T93HCB - Chrome	16-22"	Composite	Left	1194329

NOTE: A - NOTE: Part numbers 1111287 and 1111288 changed from Chrome Pivot/Slide Tube to Black as of 5/16/19

NOTE: 2" and 4" Longer Pivot Slide Tube with Footplate Assembly is not available.

Pivot Slide Tube with Footplate

GT93H and T93H Series Footrest

NOTE: Pivot Slide Tube and Footplate is attached to Footrest Support using the spring button or bolt thru hardware. See chart titled, "Pivot Slide Tube Attaching Hardware."

Bolt Through and Spring Button Kits

Style	Part Number	Quantity per Package	Quantity Per Footrest	Quantity Per Legrest
Spring Button Hardware Kit	1188335 See Note(s) A	2	2	4
Bolt Through Hardware Kit	1101776 See Note(s) A	2	2	2
Tool Kit	1058407 See Note(s) B	1	N/A	N/A

NOTE: A - Kit includes 2 ea. Double Spring Buttons
 B - Kit includes allen wrench, key, and open end wrench. The Bolt Thru Hardware uses the Tool Kit for installation.