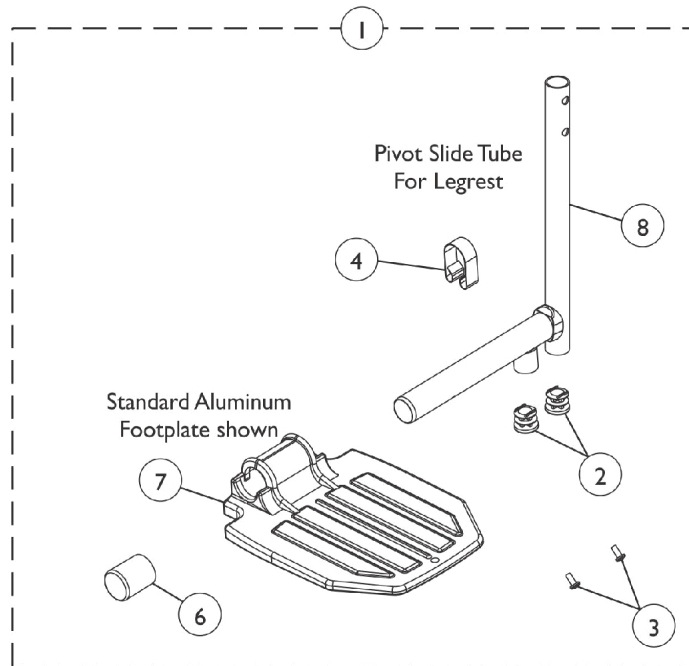
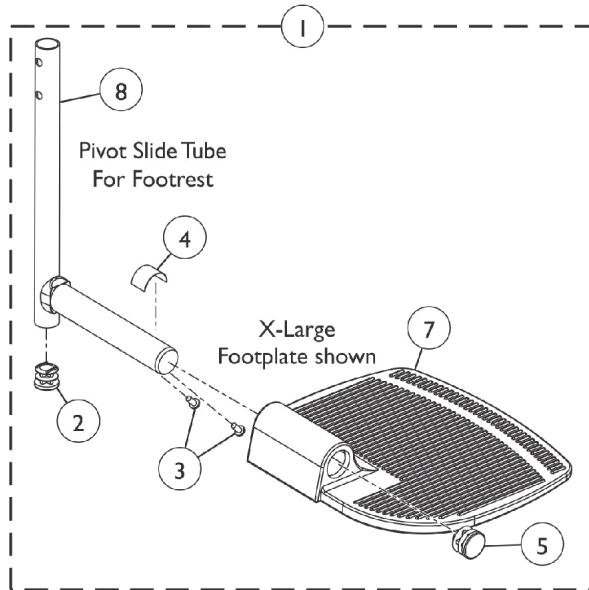


# Pivot Slide Tube (Black) with Footplate

## GT93H/T93H Series and GT94H/T94H Series

NOTE: If your chair was built with a serial # starting with "03H" or "03I", please contact an Invacare Parts Specialist for replacement parts at 1-800-333-6900 Ext. 3722.



## Pivot Slide Tube (Black) with Footplate GT93H/T93H Series and GT94H/T94H Series

**NOTE: If your chair was built with a serial # starting with "03H" or "03I", please contact an Invacare Parts Specialist for replacement parts at 1-800-333-6900 Ext. 3722.**

Item Number	Note	Part Number	Description	Quantity Per	
				Package	Assembly
1		See Chart	Item #1 Pivot/Slide Tube (Black) w/ Footplate Assembly	1	1
2		1027097	Plug Button, Black (3/4")	1	2
3		40120X001	Screw, Phillips Pan Head (#8-32 x 3/8")	1	2
4	F	1006981	Spring, Tension	1	1
4	D,E	1036123	Spring, Leaf	1	1
5		1027095	Plug Button, Black (7/8")	1	1
6		1016346	Cap, End, Tube, Black (7/8")	1	1
7		44200X027	Footplate, Aluminum, Medium, Black (7-3/4" W x 6" L)	1	1
7		44200X025	Footplate, Aluminum, Extra Large, Black - Right (8" W x 8-1/2" L)	1	1
7		1015178	Footplate, Composite, Black (6" W x 7-53/64" L)	1	1
7	G	1192674	Footplate, Composite, Black (6" W x 7-53/64" L)	1	1
8		1110301	Pivot/Slide Tube w/ Plug Button, Legrest, Black	1	1
8		1111277	Pivot/Slide Tube w/ Plug Button, Footrest, Black	1	1

NOTE: D - Use one or more leaf springs per assembly as required such that footplate may be moved by hand to the up-right position and remain in place.  
E - Use with Extra Large Footplates.  
F - Use with Standard Footplates.  
G - Use with GT93HC and GT94HC/GT94HCB model Front Riggings and (T93HC, T94HC/T94HCB as of 5/16/19).

### Item #1 Pivot/Slide Tube (Black) w/ Footplate Assembly

Front Rigging Model	Chair Width	Footplate Style	Frame Side	Part Number
T93HA	18 - 24" W	Aluminum	Right	8881180777 See Note(s) A
T93HA	18 - 24" W	Aluminum	Left	8881180778 See Note(s) A
GT93HA/T93HAB	18 - 24" W	Aluminum	Right	1111285
GT93HA/T93HAB	18 - 24" W	Aluminum	Left	1111286
T93HA	18 - 24" W	Extra Large Aluminum	Right	8881180783 See Note(s) A
T93HA	18 - 24" W	Extra Large Aluminum	Left	8881180784 See Note(s) A
GT93HA/T93HAB	18 - 24" W	Extra Large Aluminum	Right	1110344
GT93HA/T93HAB	18 - 24" W	Extra Large Aluminum	Left	1110345
T93HC	18 - 24" W	Composite	Right	8881180779 See Note(s) A
T93HC	18 - 24" W	Composite	Left	8881180780 See Note(s) A
GT93HC/T93HC	18 - 24" W	Composite	Right	1194329 See Note(s) B

# Pivot Slide Tube (Black) with Footplate

## GT93H/T93H Series and GT94H/T94H Series

**NOTE: If your chair was built with a serial # starting with "03H" or "03I", please contact an Invacare Parts Specialist for replacement parts at 1-800-333-6900 Ext. 3722.**

### Item #1 Pivot/Slide Tube (Black) w/ Footplate Assembly

Front Rigging Model	Chair Width	Footplate Style	Frame Side	Part Number
GT93HC/T93HC	18 - 24" W	Composite	Left	1194330 See Note(s) B
T94HA	18 - 24" W	Aluminum	Right	8881180764 See Note(s) A
T94HA	18 - 24" W	Aluminum	Left	8881180765 See Note(s) A
GT94HA/T94HAB	18 - 24" W	Aluminum	Right	1110315
GT94HA/T94HAB	18 - 24" W	Aluminum	Left	1110316
T94HA	18 - 24" W	Extra Large Aluminum	Right	8881180770 See Note(s) A
T94HA	18 - 24" W	Extra Large Aluminum	Left	8881180771 See Note(s) A
GT94HA/T94HAB	18 - 24" W	Extra Large Aluminum	Right	1110348
GT94HA/T94HAB	18 - 24" W	Extra Large Aluminum	Left	1110349
T94HC	18 - 24" W	Composite	Right	8881180766 See Note(s) A
T94HC	18 - 24" W	Composite	Left	8881180767 See Note(s) A
GT94HC/T94HCB	18 - 24" W	Composite	Right	1110311
GT94HC/T94HCB	18 - 24" W	Composite	Left	1110312

NOTE: A - Specify color 34P Black when ordering.  
B - Used for model GT93HC and (T93HC as of 5/16/19).