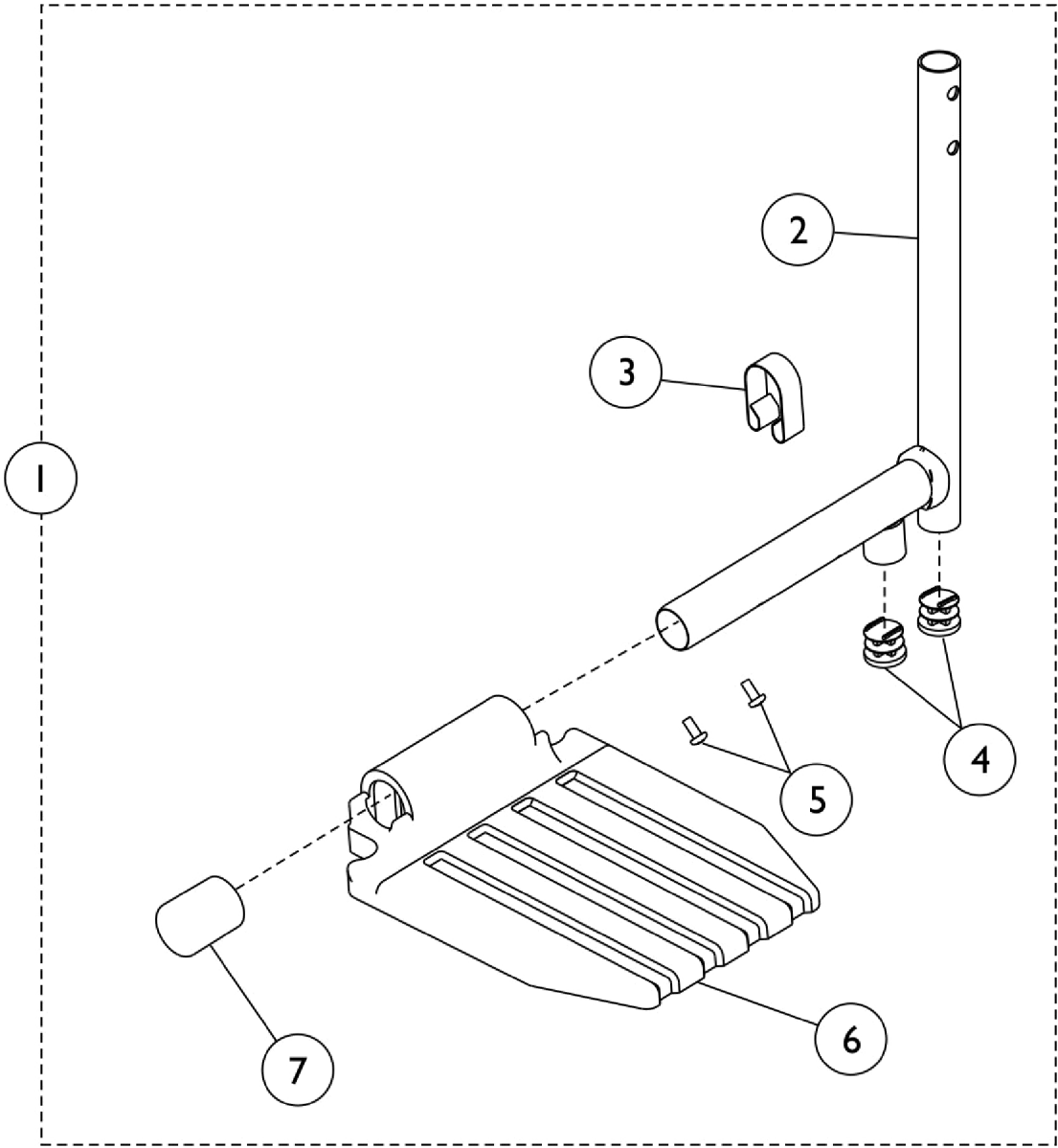


Front Riggings - Pivot Slide Tube w/ Footplate

GT94H/ T94H Series



Front Riggings - Pivot Slide Tube w/ Footplate GT94H/ T94H Series

Item Number	Note	Part Number	Description	Quantity Per	
				Package	Assembly
1		See Chart	#1 - Pivot Slide Tube (Chrome) with Footplate Assembly - T94H Series	1	1
1		See Chart	#1 - Pivot Slide Tube (Black) with Footplate Assembly - GT94H/T94H Series	1	1
2		1111278-NLA	NLA - Pivot/Slide Tube w/ Plug Button, Footrest, Chrome	1	1
2		1111277	Pivot/Slide Tube w/ Plug Button, Footrest, Black	1	1
3	A,D	1036123	Spring, Leaf	1	1
3		1006981	Spring, Tension	1	1
4	C	1027097	Plug Button, Black (3/4")	1	2
4	A,B	1027095	Plug Button, Black (7/8")	1	1
5		40120X001	Screw, Phillips Pan Head (#8-32 x 3/8")	1	2
6		1015178	Footplate, Composite, Black (6" W x 7-53/64" L)	1	1
6	E	1192674	Footplate, Composite, Black (6" W x 7-53/64" L)	1	1
6	B	44200X059	Footplate, Aluminum, Small, Black (6-3/4" W x 6" L)	1	1
6		44200X027	Footplate, Aluminum, Medium, Black (7-3/4" W x 6" L)	1	1
6	A,B	44200X025	Footplate, Aluminum, Extra Large, Black - Right (8" W x 8-1/2" L)	1	1
6		44200X026	Footplate, Aluminum, Extra Large, Black - Left (8" W x 8-1/2" L)	1	1
7	C	1016346	Cap, End, Tube, Black (7/8")	1	1
	B	See Chart	Bolt Through & Spring Button Kits	1	1

NOTE: A - For use on extra large footplate.
 B - Not shown.
 C - For use on small and medium sized footplates.
 D - Use one or more leaf springs per assembly as required such that footplate may be moved by hand to the up-right position and remain in place.
 E - Use with GT94HC/GT94HCB model Front Riggings and (T94HC/GT94HCB as of 5/16/19).

NOTE: Pivot and Slide Tube is attached to footrest support using bolt-through or spring button hardware, see chart titled, "Attaching Hardware."

Front Riggings - Pivot Slide Tube w/ Footplate GT94H/ T94H Series

#1 - Pivot Slide Tube (Chrome) with Footplate Assembly - T94H Series

Description	Chair Width	Footplate Style	Right	Left
T94HS	14"	Aluminum	1110367	1110368
T94HA/T94HAB	16", 18", 20", 22"	Aluminum	1110317	1110318
T94HA/T94HAB	16", 18", 20", 22"	Extra Large Aluminum	1110350	1110351
T94HC/T94HE	16", 18", 20", 22"	Composite	1110313	1110314

#1 - Pivot Slide Tube (Black) with Footplate Assembly - GT94H/T94H Series

Description	Chair Width	Footplate Style	Right	Left
T94HS	14"	Aluminum	N/A	N/A
T94HA	16", 18", 20", 22"	Aluminum	8881180764 See Note(s) A	8881180765 See Note(s) A
GT94HA/T94HAB	16", 18", 20", 22"	Aluminum	1110315	1110316
T94HA	16", 18", 20", 22"	Extra Large Aluminum	8881180770 See Note(s) A	8881180771 See Note(s) A
GT94HA/T94HAB	16", 18", 20", 22"	Extra Large Aluminum	1110348	1110349
T94HC/T94HE	16", 18", 20", 22"	Composite	8881180766 See Note(s) A	8881180767 See Note(s) A
GT94HC/T94HC	16", 18", 20", 22"	Composite	1110311	1110312

NOTE: A - Specify color 34P Black when ordering.

Front Riggings - Pivot Slide Tube w/ Footplate GT94H/ T94H Series

Bolt Through & Spring Button Kits

Style	Part Number	Quantity per Package	Quantity Per Footrest (pair)	Quantity Per Legrest (pair)
Spring Button Hardware Kit	1188335 See Note(s) A	2	2	4
Bolt Through Hardware Kit See Note(s) C	1101776 See Note(s) C, A	2	2	2
Tool Kit	1058407 See Note(s) B	1 set	N/A	N/A

NOTE: A - Kit includes 2 ea. Double Spring Buttons
 B - Kit includes (2) Hex Keys and (2) Wrenches. Tool Kit used for Bolt Through Hardware
 C - Used with Fixed Front Frame mounting also.