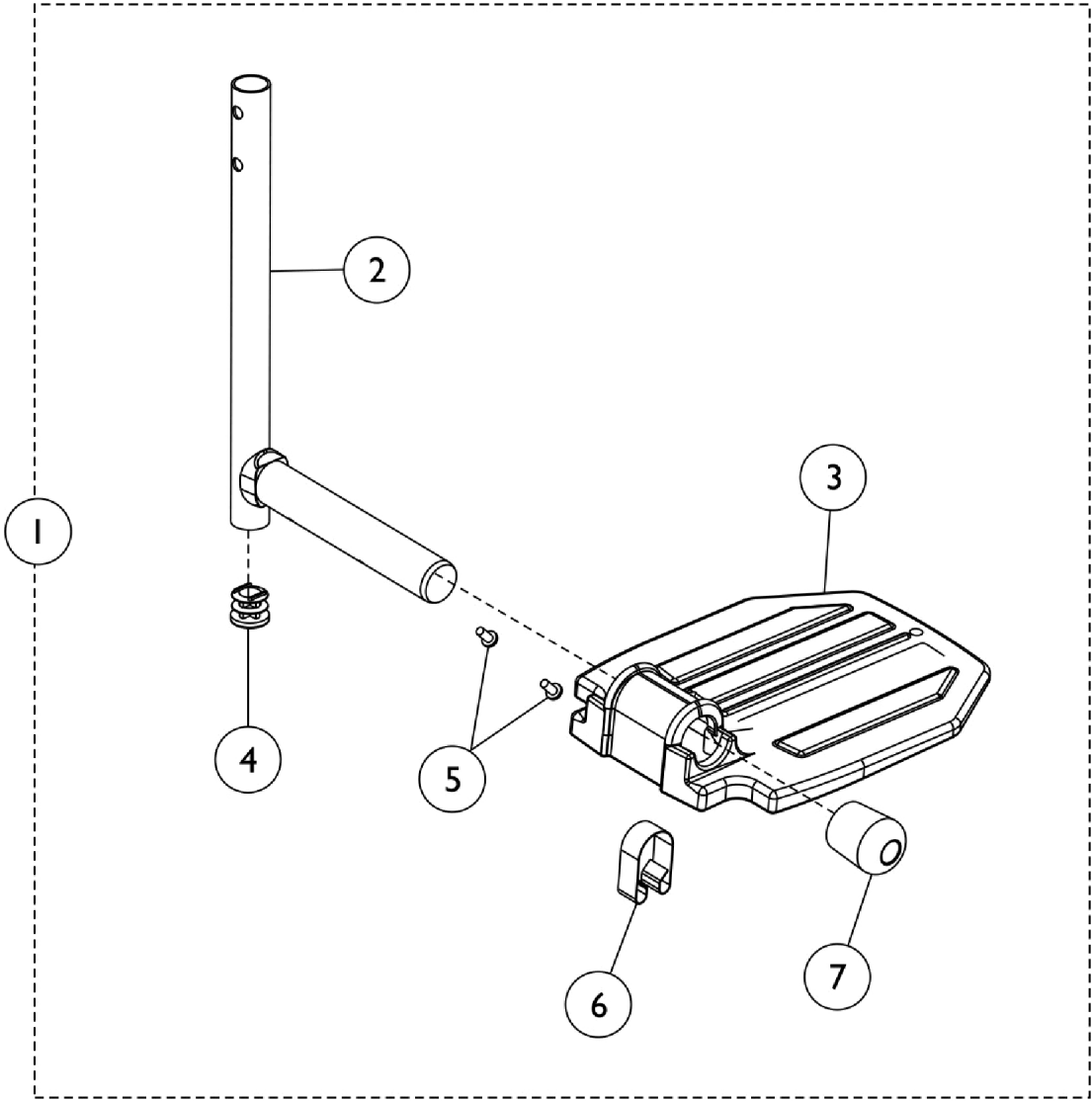


Front Riggings - Pivot Slide Tube w/ Footplate

GT93H/T93H Series (and Fixed Front Frames)



Front Riggings - Pivot Slide Tube w/ Footplate GT93H/T93H Series (and Fixed Front Frames)

Item Number	Note	Part Number	Description	Quantity Per	
				Package	Assembly
1		See Chart	#1. Pivot Slide Tube (Chrome) with Footplate Assembly - T93H Series	1	1
1		See Chart	#1. Pivot Slide Tube (Black) with Footplate Assembly - GT93H/T93H Series	1	1
2		1111278-NLA	NLA - Pivot/Slide Tube w/ Plug Button, Footrest, Chrome	1	1
2		1111277	Pivot/Slide Tube w/ Plug Button, Footrest, Black	1	1
3		1015178	Footplate, Composite, Black (6" W x 7-53/64" L)	1	1
3	F	1192674	Footplate, Composite, Black (6" W x 7-53/64" L)	1	1
3	B	44200X059	Footplate, Aluminum, Small, Black (6-3/4" W x 6" L)	1	1
3		44200X027	Footplate, Aluminum, Medium, Black (7-3/4" W x 6" L)	1	1
3	B	44200X025	Footplate, Aluminum, Extra Large, Black - Right (8" W x 8-1/2" L)	1	1
3	B	44200X026	Footplate, Aluminum, Extra Large, Black - Left (8" W x 8-1/2" L)	1	1
4		1027097	Plug Button, Black (3/4")	1	1
	A,B	1027095	Plug Button, Black (7/8")	1	1
5		40120X001	Screw, Phillips Pan Head (#8-32 x 3/8")	1	2
6	A,D	1036123	Spring, Leaf	1	1
6	E	1006981	Spring, Tension	1	1
7	C	1016346	Cap, End, Tube, Black (7/8")	1	1
	B	See Chart	Bolt Through & Spring Button Kits	1	1

NOTE: A - For use on extra large footplates.
 B - Not shown.
 C - For use on small and medium sized footplates.
 D - Use one or more leaf springs per assembly as required such that footplate may be moved by hand to the up-right position and remain in place.
 E - Use with Standard Footplates.
 F - Use with GT93HC and model Front Riggings and (T93HC Front Riggings as of 5/16/19).

NOTE: Pivot & Slide Tube is attached to footrest support using bolt-through or spring button hardware, see chart titled, "Attaching Hardware."

Front Riggings - Pivot Slide Tube w/ Footplate GT93H/T93H Series (and Fixed Front Frames)

#1. Pivot Slide Tube (Chrome) with Footplate Assembly

Front Rigging Model	Chair Width	Footplate Style	Right	Left
T93HS/T93HSB	14"	Aluminum	1110363	1110364
T93HA, T93HAB	16", 18", 20", 22"	Aluminum	1111287-NLA See Note(s) B, A	1111288-NLA See Note(s) A, B
T93HA/T93HAB	16", 18", 20", 22"	Extra Large Aluminum	1110346	1110347
T93HC/T93HE/T93HC B	16", 18", 20", 22"	Composite	1111291	1111292
NOTE: A - Can be used with Fixed Front Frames. B - NOTE: Part numbers 1111287 and 1111288 changed from Chrome Pivot/Slide Tube to Black as of 5/16/19				

#1. Pivot Slide Tube (Black) with Footplate Assembly

Front Rigging Model	Chair Width	Footplate Style	Right	Left
T93HS	14"	Aluminum	N/A	N/A
T93HA	16", 18", 20", 22"	Aluminum	8881180777 See Note(s) A	8881180778 See Note(s) A
GT93HA/T93HAB	16", 18", 20", 22"	Aluminum	1111285	1111286
T93HA	16", 18", 20", 22"	Extra Large Aluminum	8881180783 See Note(s) A	8881180784 See Note(s) A
GT93HA/T93HAB	16", 18", 20", 22"	Extra Large Aluminum	1110344	1110345
T93HC/T93HE	16", 18", 20", 22"	Composite	8881180779 See Note(s) A	8881180780 See Note(s) A
GT93HC	16", 18", 20", 22"	Composite	1194329	1194330
NOTE: A - Specify color 34P Black when ordering.				

Front Riggings - Pivot Slide Tube w/ Footplate GT93H/T93H Series (and Fixed Front Frames) Bolt Through & Spring Button Kits

Style	Part Number	Quantity per Package	Quantity Per Footrest (pair)	Quantity Per Legrest (pair)
Spring Button Hardware Kit	1188335 See Note(s) A	2	2	4
Bolt Through Hardware Kit See Note(s) C	1101776 See Note(s) C, A	2	2	2
Tool Kit	1058407 See Note(s) B	1 set	N/A	N/A

NOTE: A - Kit includes 2 ea. Double Spring Buttons.
 B - Kit includes (2) Hex Keys and (2) Wrenches. Tool Kit used for Bolt Through Hardware
 C - Used with Fixed Front Frame mounting also.