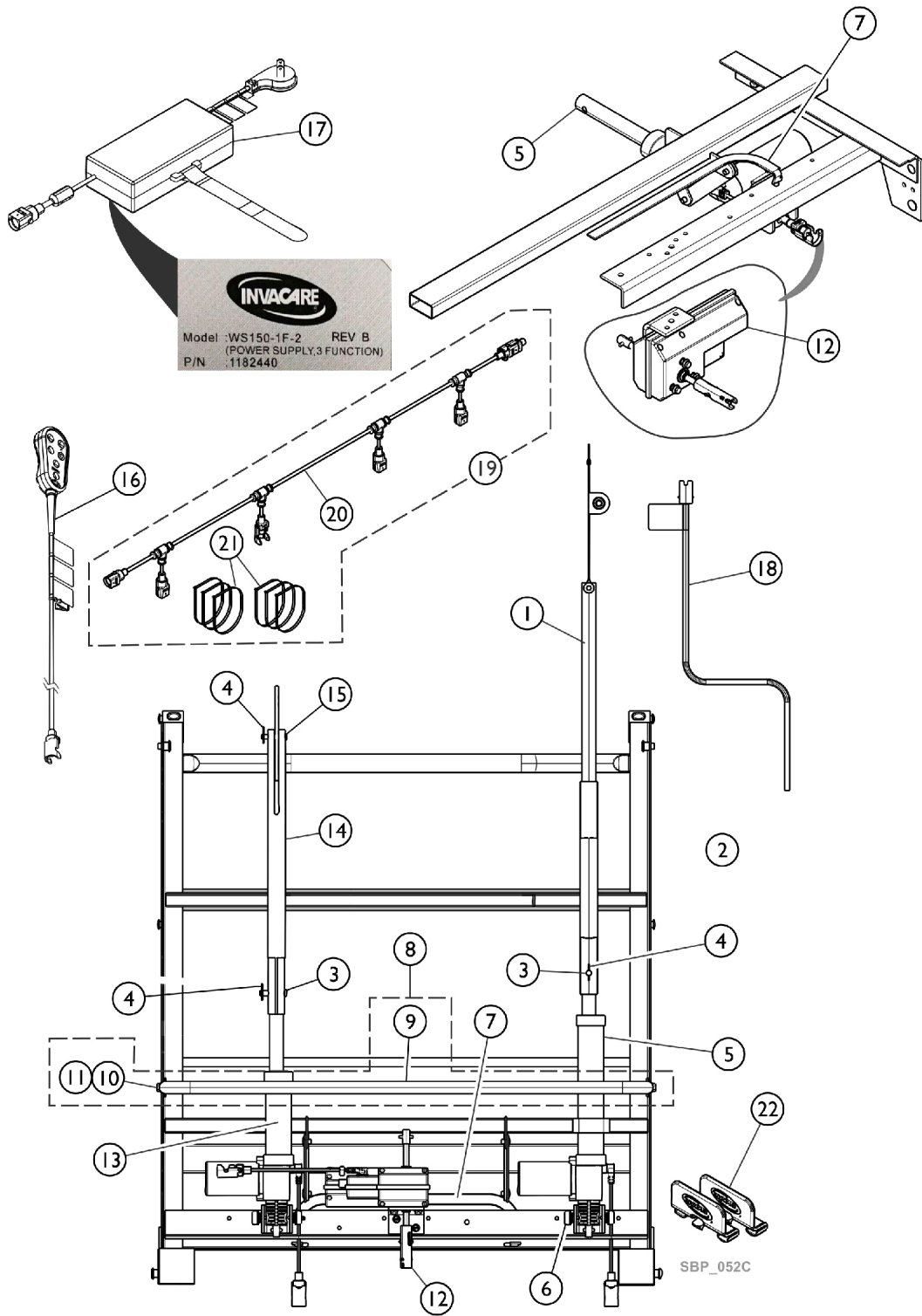


Foot Section - Full Electric - G54

Drawing shows detailed view of frame from beneath the bed.



Foot Section - Full Electric - G54

Item Number	Note	Part Number	Description	Quantity Per	
				Package	Assembly
1		1182425	Tube, Pull, Head End Assembly	1	1
2		1182334	Tube, Pull Motor, Head - Outer	1	1
3		026976	Pin, Clevis (3/8 x 1-3/4")	1	2
4		51000M743	Pin, Hitch (3/8 x 1-3/16")	1	3
5		1183691	Kit, Motor Head Assembly	1	1
6		5300M054	Mount, Motor	1	4
7		1182419	Stop, Mattress	1	1
8		1183692	Kit, Guard, Motor	1	1
9			Guard, Motor	1	1
10			Screw, Hex Head Flanged (5/16-18 x 3/4")	1	2
11			NLA - Nut, Keps (5/16-18)	1	2
			Instruction Sheet, Motor Guard	1	1
12		1183693	Kit, Motor, Hi-Lo w/ Bracket	1	1
13		1183695	Kit, Motor, Foot w/ Pull Tube	1	1
14		1182332	Tube, Pull Motor, Foot - Outer	1	1
15		53000M957	Pin, Clevis (5/16 x 1-11/16")	1	1
16	B,D,E	1182430-NLA	NLA - Kit, Pendant, Three Function	1	1
16	B,D	60108014	Kit, Pendant, Backlit, Three Function	1	1
17	C	1183694	Kit, Power Supply FE, G-Series Bed	1	1
18		1182429	Crank, Emergency, White	1	1
19		1183696	Kit, Bus Cable FE, G-Series Bed	1	1
20			Cable Assembly, Bus, Three Function	1	1
21			NLA - Tie Wrap	6	1
22		1187019	Kit, Mattress Keeper	2	1
	A	1183698	Kit, Pendant Port Plug, G Series Bed	6	1
	A	1183699	Kit, Strap, Power Supply, G Series Bed	5	1
	A	1183700	Kit, O-Ring, G Series Bed	10	1
	A	1187018-NLA	NLA - Kit, Hardware, G-50	1	1

NOTE: A - Not shown in illustration.
 B - When a new Pendant is ordered for Beds manufactured Before 12/31/18, a new Power Supply must be ordered along with the Pendant if the Power Supply Model Label does not show REV B. After 12/30/18 a Pendant or Power Supply can be ordered separately.
 C - Power Supply part #1183694 that is labeled REV B (See Label referenced on illustration) will accommodate both standard and Backlit Pendants.
 D - The Backlit Pendant became "Standard" on G54 Full Electric Foot Section starting with serial number 20CF012429.
 E - No Longer Available. Refer to notes B and D before ordering a replacement pendant.