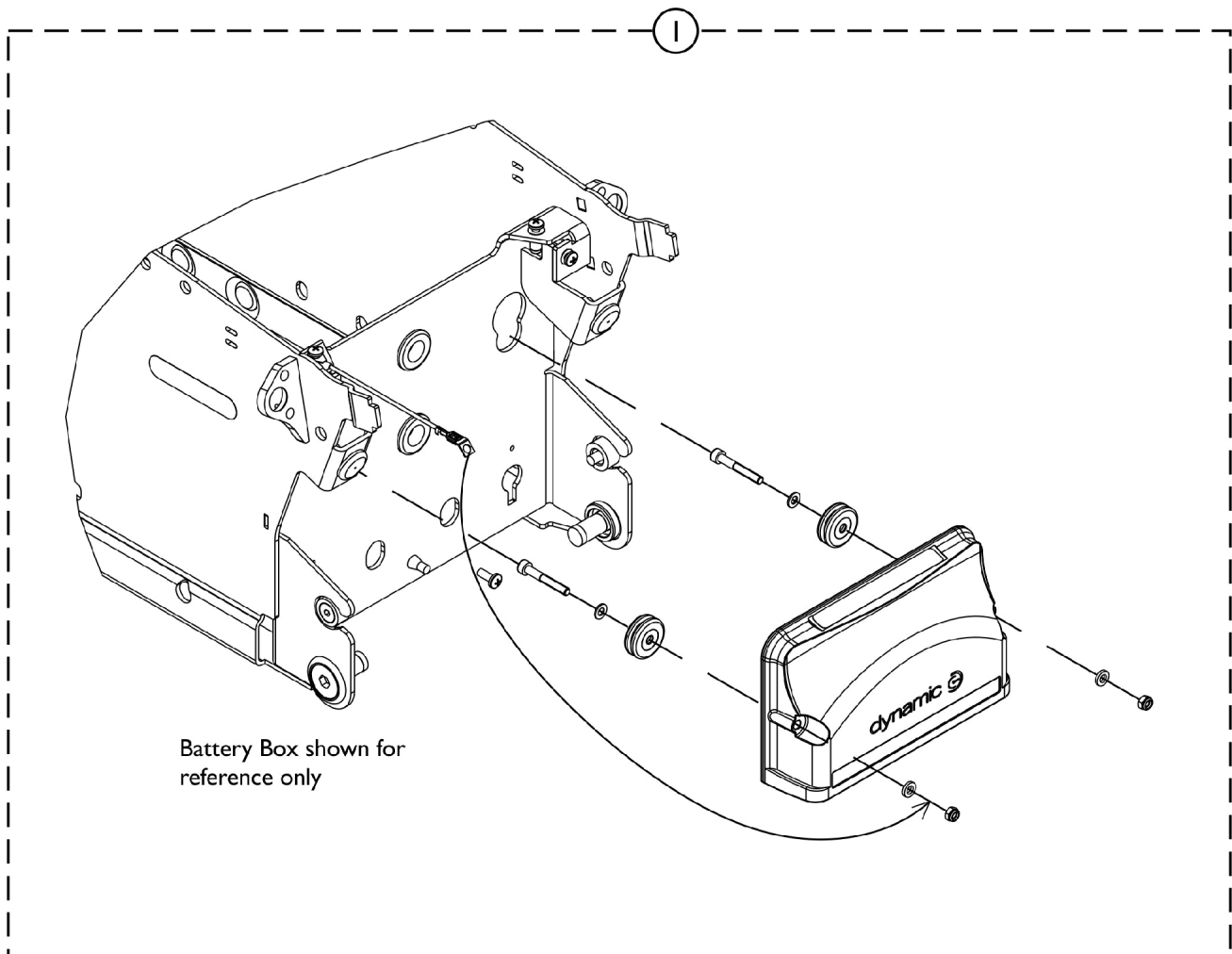


LiNX Power Module NEXC 120/NEXC 120-75/EXPC 120AL/EXPC 120-75AL with Mounting Hardware

NOTE: Description was revised to define Non-Expandable vs Expandable electronics. NEXC 120 was DLX-PM120; EXPC 120AL was DLX-PM120AL.

NOTE: When installing a new Power Module, the Motors will need to be calibrated with Invacare Tech. Services. A LAK is required to complete the calibration.



LiNX Power Module NEXC 120/NEXC 120-75/EXPC 120AL/EXPC 120-75AL with Mounting Hardware

NOTE: Description was revised to define Non-Expandable vs Expandable electronics. NEXC 120 was DLX-PM120; EXPC 120AL was DLX-PM120AL.

NOTE: When installing a new Power Module, the Motors will need to be calibrated with Invacare Tech. Services. A LAK is required to complete the calibration.

Item Number	Note	Part Number	Description	Quantity Per	
				Package	Assembly
1	A,D	60102507	Kit, LiNX Power Module EXPC 120AL w/ Mounting Hardware	1	1
1	B,D	60102508	Kit, LiNX Power Module NEXC 120 w/ Mounting Hardware	1	1
1	A,C,D	60108639	Kit, LiNX Power Module EXPC 120AL-75 w/ Mounting Hardware	1	1
1	B,C,D	60108638	Kit, LiNX Power Module NEXC 120-75 w/ Mounting Hardware	1	1

NOTE: A - Power Module used with ELEV and NON-ELEV Option.
 B - Power Module used without ELEV Option.
 C - Power Module used with HSMTR High Speed Motor Option.
 D - When installing a new Power Module, the Motors will need to be calibrated with Invacare Tech. Services. A LAK is required to complete the calibration.