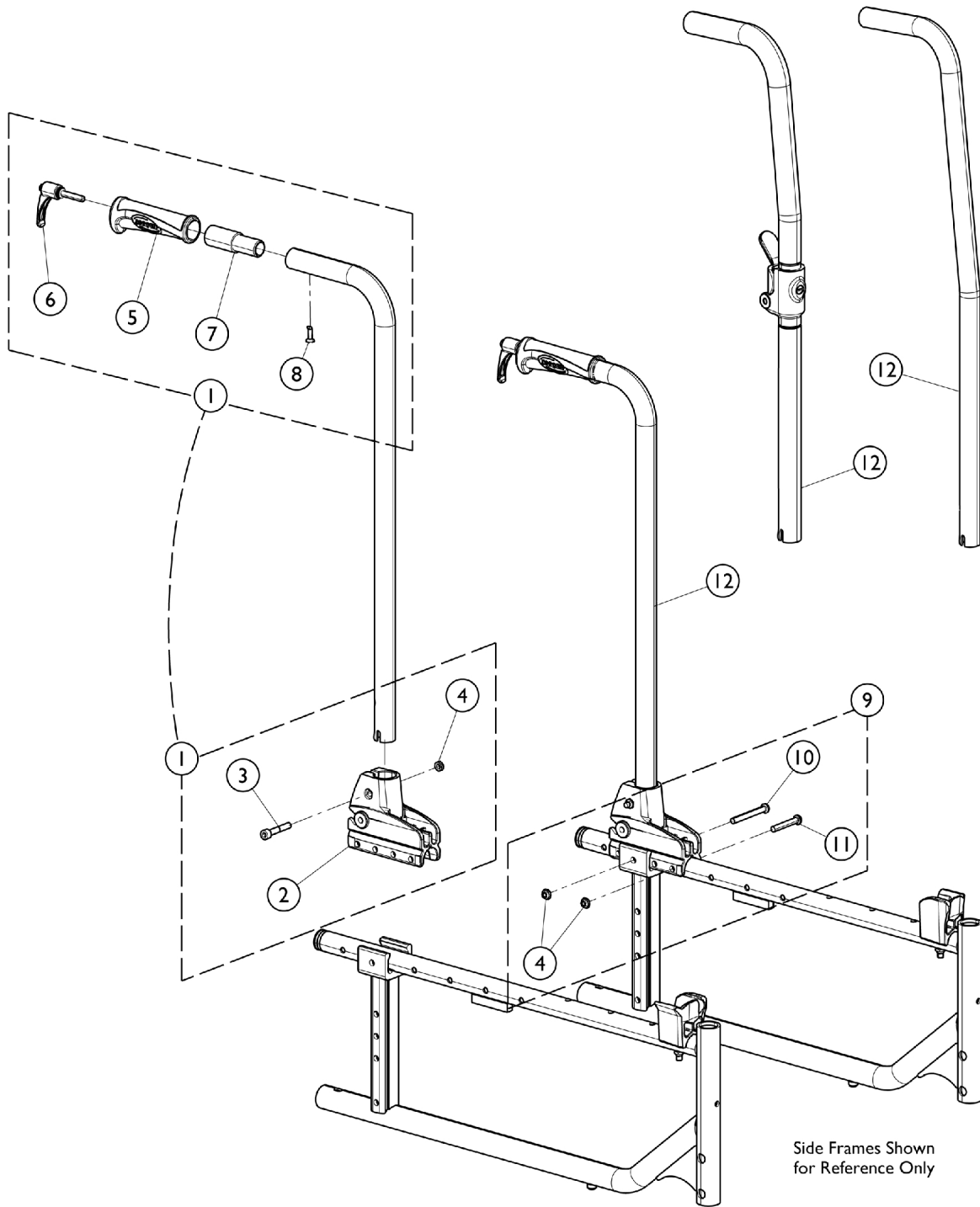


Fixed Height w/ Push Handles, HD (FBH - FBHF)

For Back Brace and Indexable Lever, see category titled "Upholstery - Back Brace and Hardware" page.



Side Frames Shown
for Reference Only

Fixed Height w/ Push Handles, HD (FBH - FBHF)

For Back Brace and Indexable Lever, see category titled "Upholstery - Back Brace and Hardware" page.

Item Number	Note	Part Number	Description	Quantity Per	
				Package	Assembly
1	A	1172974	Kit, Cane Hardware w/ Lumbar Support (Fixed or Foldable) (Pair)	1	1
2			Bracket, Cane, Rear	1	2
3			Screw, Cap, Socket Head (M6 x 35mm)	1	2
4			NLA - Locknut (M6 x 1)	1	2
5			Grip, Cane	1	2
6			Lever, Indexable	1	2
7			Insert, Rigidizer	1	2
8			Screw, Phillips Pan Head (M4.8 X 16mm)	1	2
9	B	1172976	Kit, Cane Bracket Attaching Hardware (Pair)	1	1
4			NLA - Locknut (M6 x 1)	1	4
10			Screw, Socket Button Head (M6 x 53mm)	1	2
11			NLA - Screw, Socket Button Head (M6 x 40mm)	1	2
12		1423408-0010	Back Cane, Fixed, Zero Degree (16" H)	1	2
12		1425358-0010	Back Cane, Fixed, Zero Degree (20" H)	1	2
12		1434492	Back Cane, Fold Down (16" H)	1	2
12		1545612	Back Cane, Fold Down (17" H)	1	2
12		1548860	Back Cane, Fold Down (20" H)	1	2
12		1485917-0010	Back Cane, Fixed, 8 Degree (14" H)	1	2
12		1423411-0010	Back Cane, Fixed, 7 Degree (16" H)	1	2
12		1423412-0010	Back Cane, Fixed, 7 Degree (20" H)	1	2

NOTE: A - Kit includes items 2 - 8.
B - Kit includes items 4, 10, and 11.

Back Canes - Fixed Height w/ Push Handles, HD (FBH-FBHF)

Back Cane Style	Item #1 Hardware Part No.	Item #9 Back Cane Attaching Hardware Part No.	Item #12 Back Cane Part No.
FBH14 (8 Degree)	1172974	1172976	1485917-0010
FBH16 (Straight)	1172974	1172976	1423408-0010
FBH16 (8 Degree)	1172974	1172976	1423411-0010
FBH20 (Straight)	1172974	1172976	1425358-0010
FBH20 (8 Degree)	1172974	1172976	1423412-0010
FBH16F (Straight)	1172974	1172976	1434492
FBH17F (Folding)	1172974	1172976	1545612
FBH20F (Folding)	1172974	1172976	1548860