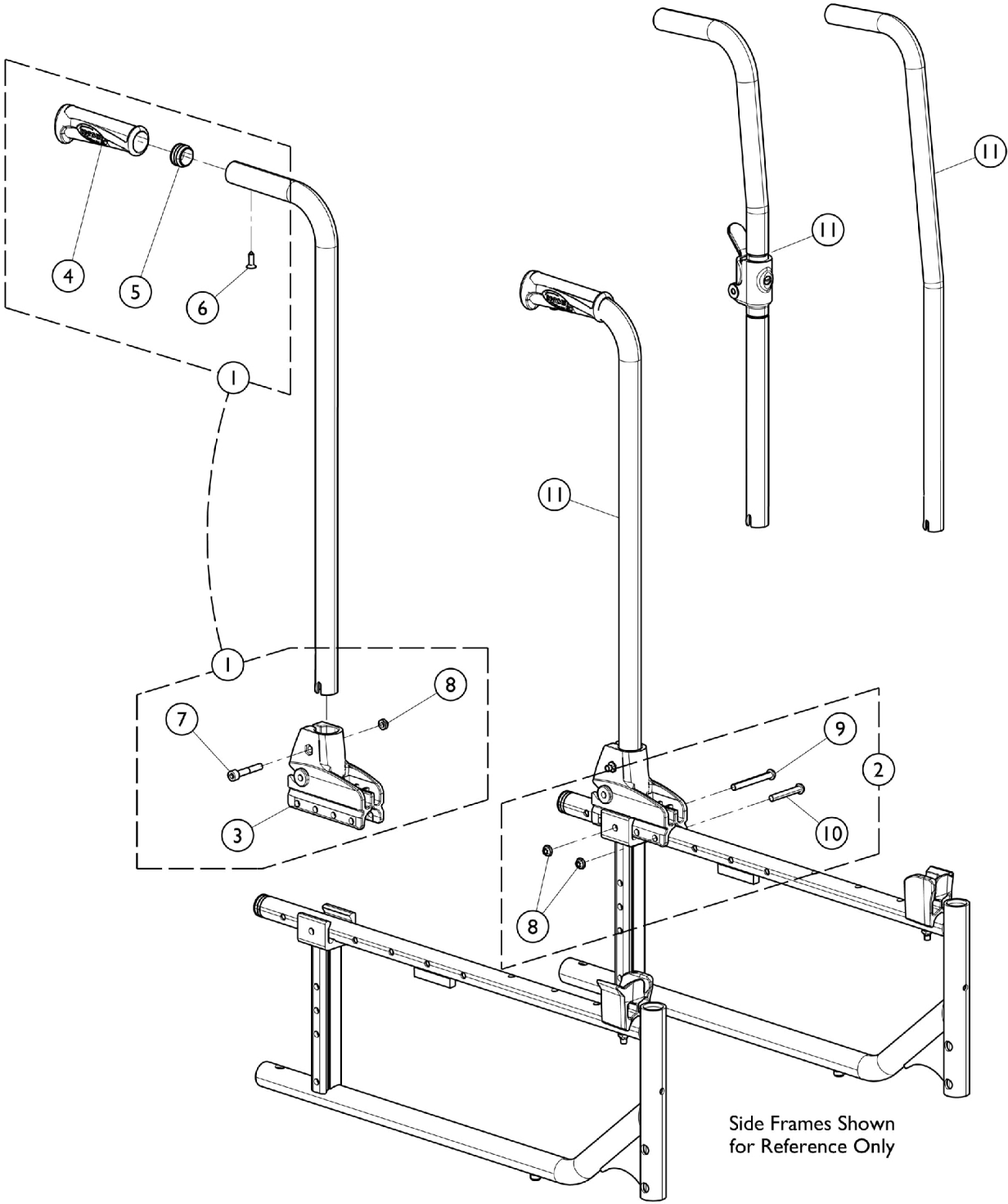


Fixed Height w/ Push Handles (FBH - FBHF)

For Back Brace and Indexable Lever, see category titled "Upholstery - Back Brace and Hardware" page.



Side Frames Shown
for Reference Only

Fixed Height w/ Push Handles (FBH - FBHF)

For Back Brace and Indexable Lever, see category titled "Upholstery - Back Brace and Hardware" page.

Item Number	Note	Part Number	Description	Quantity Per	
				Package	Assembly
1	A	1172973	Kit, Cane Hardware w/o Lumbar Support (Fixed or Foldable) (Pair)	1	1
3			Bracket, Cane, Rear	1	2
4			Grip, Cane	1	2
5			Button, Plug (22mm)	1	2
6			Screw, Phillips Pan Head (M4.8 X 16mm)	1	2
7			Screw, Cap, Socket Head (M6 x 35mm)	1	2
8			NLA - Locknut (M6 x 1)	1	2
2	B	1172976	Kit, Cane Bracket Attaching Hardware (Pair)	1	1
8			NLA - Locknut (M6 x 1)	1	4
9			NLA - Screw, Socket Button Head (M6 x 40mm)	1	2
10			Screw, Socket Button Head (M6 x 53mm)	1	2
11		1423408-0010	Back Cane, Fixed, Zero Degree (16" H)	1	2
11		1425358-0010	Back Cane, Fixed, Zero Degree (20" H)	1	2
11		1485917-0010	Back Cane, Fixed, 8 Degree (14" H)	1	2
11		1423411-0010	Back Cane, Fixed, 7 Degree (16" H)	1	2
11		1423412-0010	Back Cane, Fixed, 7 Degree (20" H)	1	2
11		1434492	Back Cane, Fold Down (16" H)	1	2
11		1545612	Back Cane, Fold Down (17" H)	1	2
11		1548860	Back Cane, Fold Down (20" H)	1	2

NOTE: A - Kit Includes items 3 - 8.
B - Kit Includes items 8, 9, and 10.

Back Canes - Fixed Height w/ Push Handles (FBH-FBHF)

Back Cane Style	Item #1 Hardware Part No.	Item #2 Back Cane Attaching Hardware Part No.	Item #11 Back Cane Part No.
FBH14 (8 Degree)	1172973	1172976	1485917-0010
FBH16 (Straight)	1172973	1172976	1423408-0010
FBH16 (8 Degree)	1172973	1172976	1423411-0010
FBH20 (Straight)	1172973	1172976	1425358-0010
FBH20 (8 Degree)	1172973	1172976	1423412-0010
FBH16F (Fold Down)	1172973	1172976	1434492
FBH17F (Fold Down)	1172973	1172976	1545612
FBH20F (Fold Down)	1172973	1172976	1548860