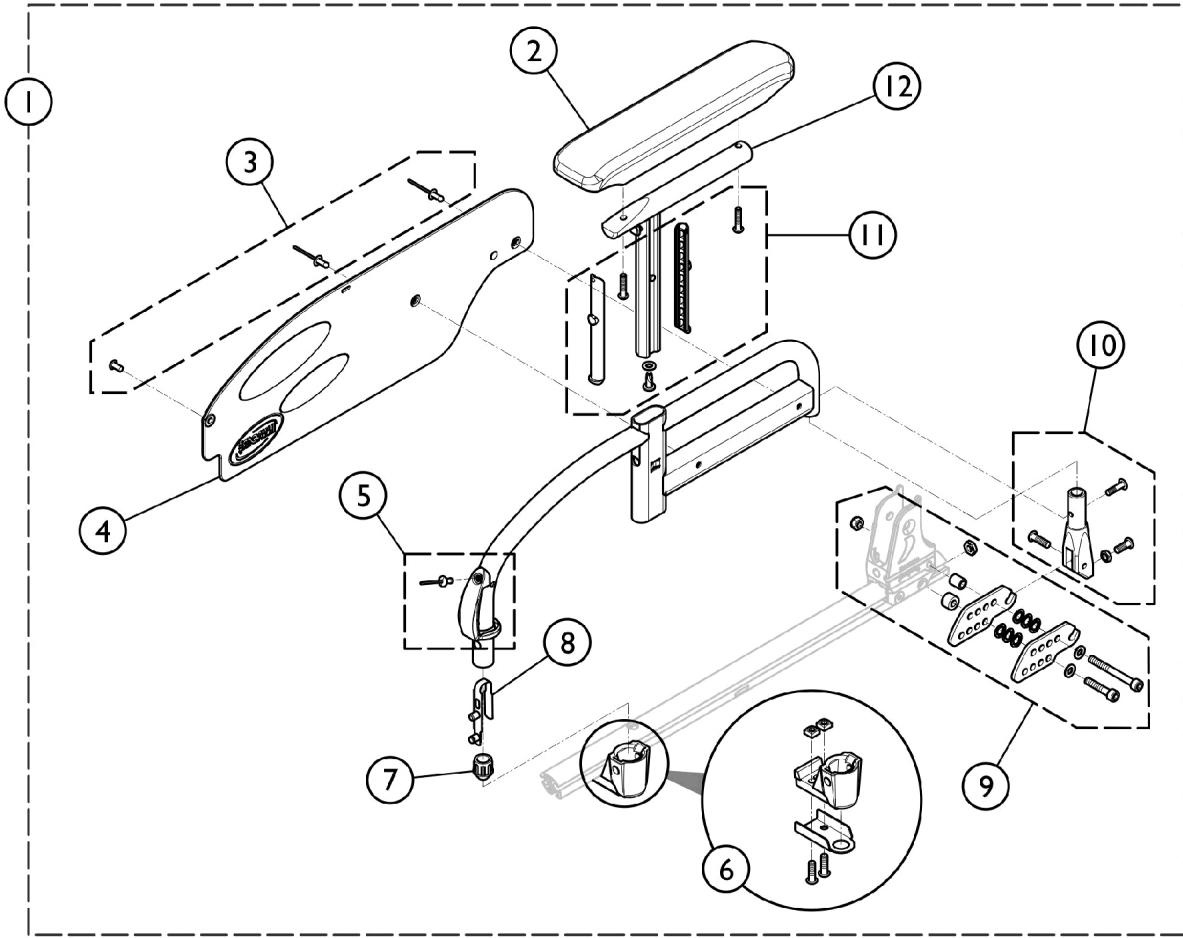


# Armrest, Swing Away - Adjustable, Removable, Desk Length Armpad (FBHAD)



SCM 177B

Item Number	Note	Part Number	Description	Quantity Per	
				Package	Assembly
1	A	See Chart	#1. Armrest Complete	1	1
2		SP1606082	Kit, Desk Length Armpad w/ Hardware	1	1
3		SP1601924	Kit, Guard, Clothing Hardware, T-Arm	1	1
4		SP1426725	Guard, Clothing, T-Arm, Black	1	1
5		SP1601925	Kit, Unlocking Button, T-Arm	1	1
6		SP1601926	Kit, Armrest Locking, T-Arm	1	1
7		SP0572-03405	Cap, Conical, Short	1	1
8		SP1018225	Double Stud Spring	1	1
9		SP1601927	Kit, Desk Armpad Support	1	1
10		SP1601928	Kit, Articulation and Screw	1	1
11		SP1601929	Kit, Plastic Insert and Screw	1	1
12		SP1606077	Kit, Support, Long Armpad	1	1

NOTE: A - Includes items 2 - 12.

## #1. Armrest Complete

Colors	Left Side	Right Side
--------	-----------	------------

# Armrest, Swing Away - Adjustable, Removable, Desk Length Armpad (FBHAD)

## #1. Armrest Complete

Colors	Left Side	Right Side
Pearl White	SP1584889-0637	SP1584888-0637
Anthracite Black	SP1584889-0609	SP1584888-0609
Pop Blue	SP1584889-0643	SP1584888-0643
Dark Red	SP1584889-0607	SP1584888-0607
Electric Green	SP1584889-0644	SP1584888-0644
Hypnotic Purple	SP1584889-0645	SP1584888-0645
Pearl Grey	SP1584889-0515	SP1584888-0515
Matte Black	SP1584889-0646	SP1584888-0646
Intense Yellow	SP1584889-0647	SP1584888-0647
Vibrating Orange	SP1584889-0648	SP1584888-0648