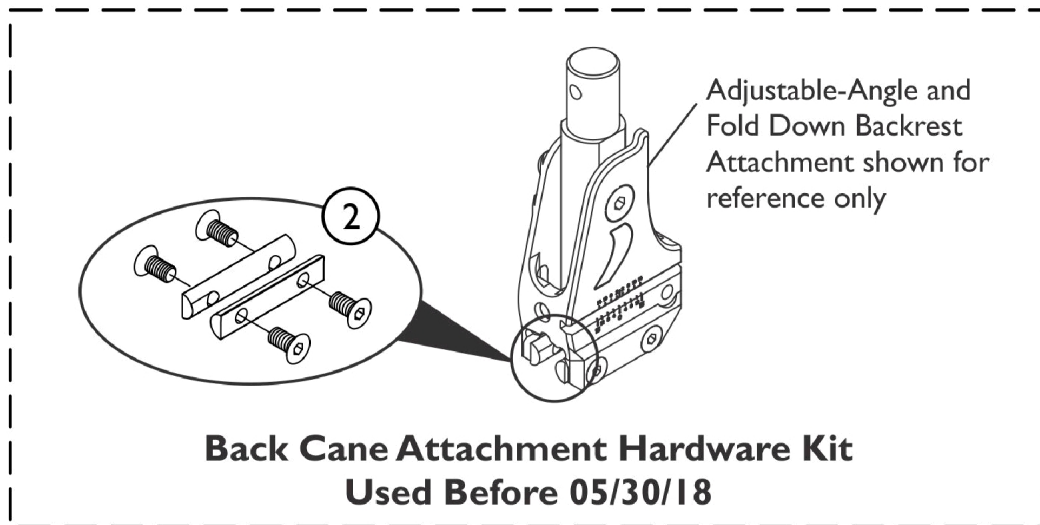
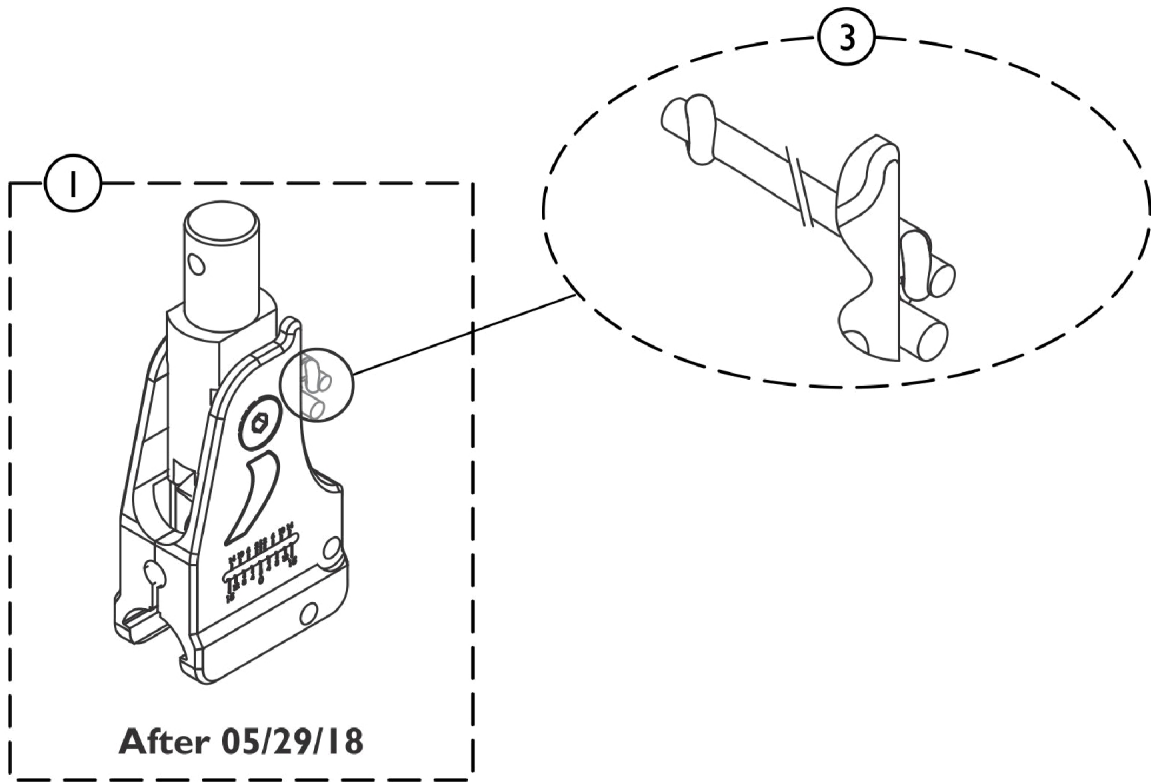


# Backrest - Attaching Point (AAFD)



## Backrest - Attaching Point (AAFD)

Item Number	Note	Part Number	Description	Quantity Per	
				Package	Assembly
1		SP1645075	Adjustable Angle and Fold Down Backrest Attachment - Left	1	1
1		SP1645172	Adjustable Angle and Fold Down Backrest Attachment - Right	1	1
2	A	SP1589804	Kit, Hardware, Back Cane Attachment	1	1
3		SP1601900	Cord, Backbrace and Angle or Fold Down Backrest Attachment	1	1

NOTE: A - Item #2 no longer required for Item #1 After 05/29/18.