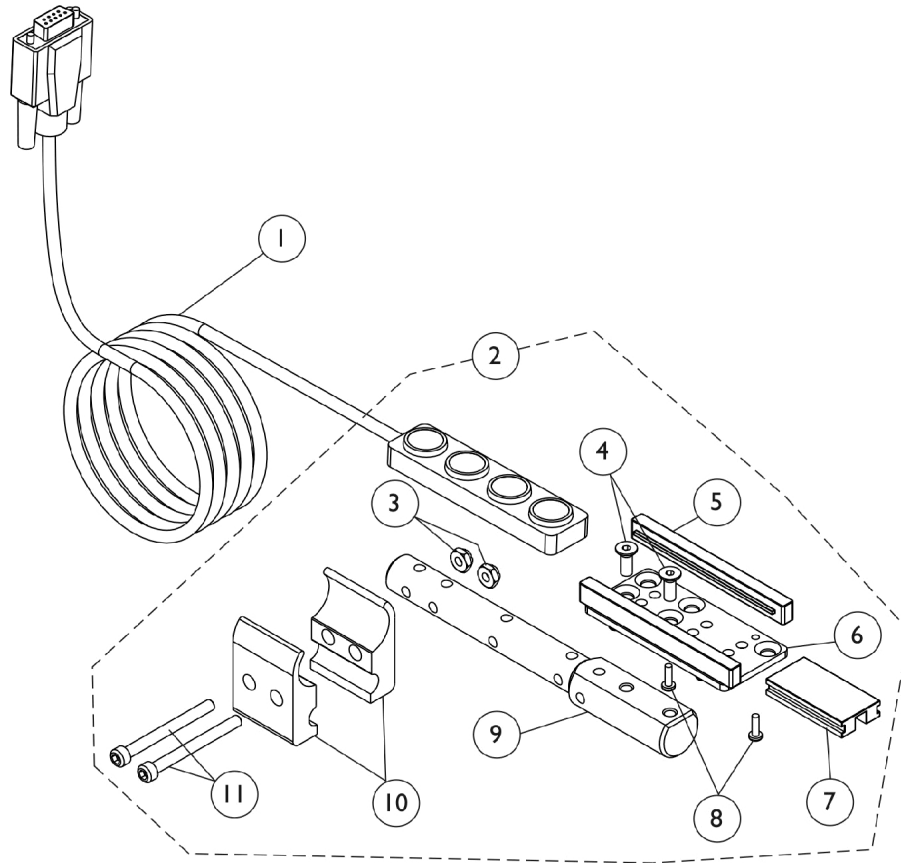


# Quad Push Button (QPBM) and Mounting Hardware (Before 10/24/18)



**Push Button Switch  
Armrest Mounting Hardware**

## Quad Push Button (QPBM) and Mounting Hardware (Before 10/24/18)

Item Number	Note	Part Number	Description	Quantity Per	
				Package	Assembly
1	A	60102513	Kit, Switch, Quad Push Button (QPBM)	1	1
2	B	1157817	Kit, Push Button Switch Armrest Mounting Hardware (PBMT)	1	1
3			Locknut (#10-32)	1	2
4			Screw, Socket Flat Head (10-32 x 1/2")	1	2
5			Rail, Push Button Slide	1	2
6			Plate, Push Button Mounting	1	1
7			Blank, 2-Position Push Button	1	1
8			NLA - Screw, Phillips Pan Head Tap (4-40 x 3/8")	1	4
9			Bar, Push Button Support	1	1
10			Half Clamp, Non-Threaded Holes	1	2
11			Screw, Socket Head (#10-32 x 2")	1	2

NOTE: A - Includes the Quad Push Button Switch with Hook & Loop Adhesive Back Fastener and Instructions  
 B - Kit is sold complete and includes items 3-11.