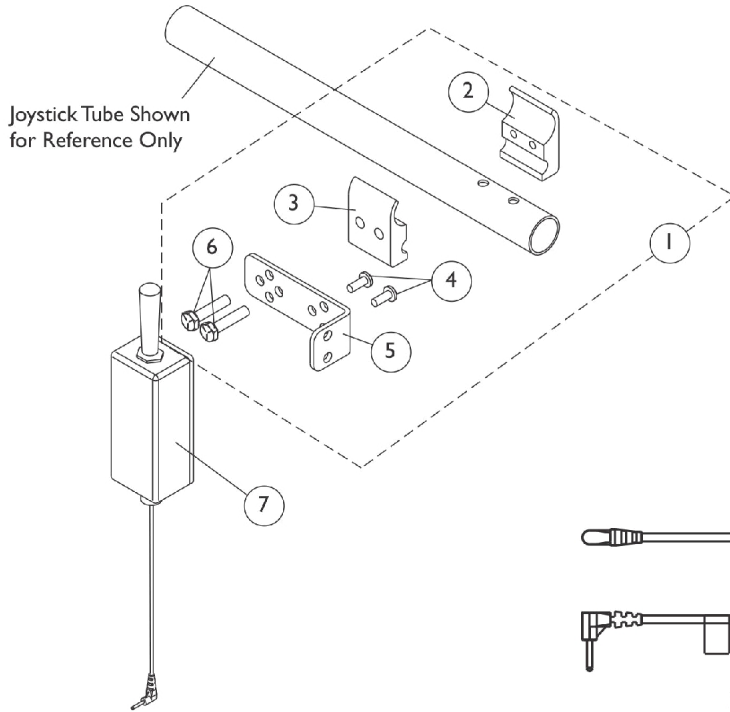
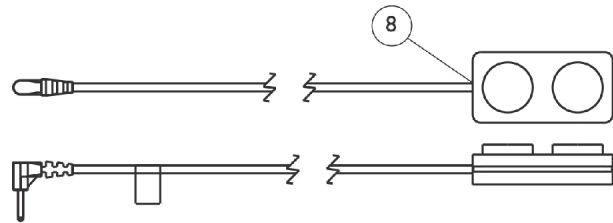


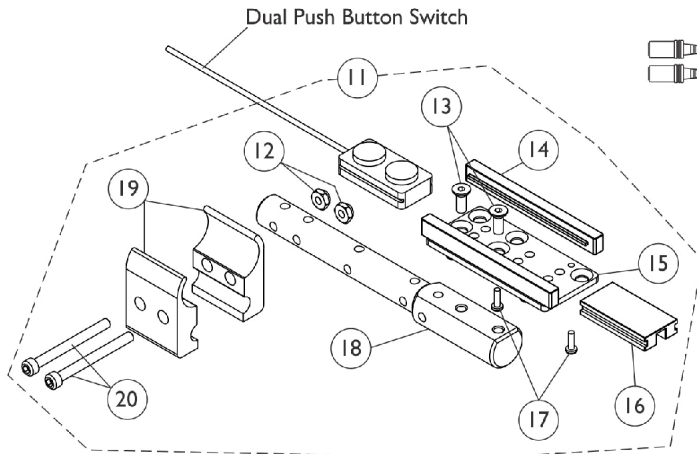
(Dual Push Button Switches Before 10/24/18), Dual Toggle Switch (2SW) & Monoport "Y" Phono Cable (MPY)



Dual Toggle Switch (2SW)



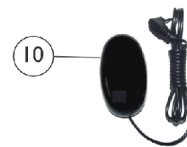
Dual Push Button Switch (2PB)



**Push Button Switch
Armrest Mounting Hardware**



Monoport "Y" Phono Cable (MPY)



Egg Switch (EGSBLK)

SHEP_261A

(Dual Push Button Switches Before 10/24/18), Dual Toggle Switch (2SW) & Monoport "Y" Phono Cable (MPY)

Item Number	Note	Part Number	Description	Quantity Per	
				Package	Assembly
1	A	1091496	Kit, Joystick Tube Toggle Switch Mounting Hardware	1	1
2			NLA - Half Clamp, Threaded Holes	1	1
3			Half Clamp, Non-Threaded Holes	1	1
4			Screw, Hex Head w/ Patch (1/4-20 x 1/2")	1	2
5			NLA - Bracket, Toggle Switch Mounting, Black	1	1
6			NLA - Screw, Hex Head (1/4-20 x 1-1/8")	1	2
7		60102516	Kit, Switch, Dual Function Toggle (2SW)	1	1
8	C	60102515	Kit, Switch, Dual Push Button (2PB)	1	1
9		1140027	Cable, Monoport "Y" Phono (MPY)	1	1
10		60102517	Kit, Switch, Black Egg Reset w/ Hook/Loop Adhesive Back Fastener & Attaching Screws (EGSBLK)	1	1
11	B	60102584	Kit, Push Button Switch Armrest Mounting Hardware (PBMT)	1	1
12			Locknut (#10-32)	1	1
13			Screw, Socket Flat Head (10-32 x 1/2")	1	2
14			Rail, Push Button Slide	1	2
15			Plate, Push Button Mounting	1	1
16			Blank, 2-Position Push Button	1	1
17			NLA - Screw, Phillips Pan Head Tap (4-40 x 3/8")	1	4
18			Bar, Push Button Support	1	1
19			Half Clamp, Non-Threaded Holes	1	2
20			Screw, Socket Head (#10-32 x 2")	1	2
NOTE: A - Includes items 2-6 B - Includes items 12-20. C - Includes the Dual Push Button Switch with Hook & Loop Adhesive Back Fastener and Instructions.					