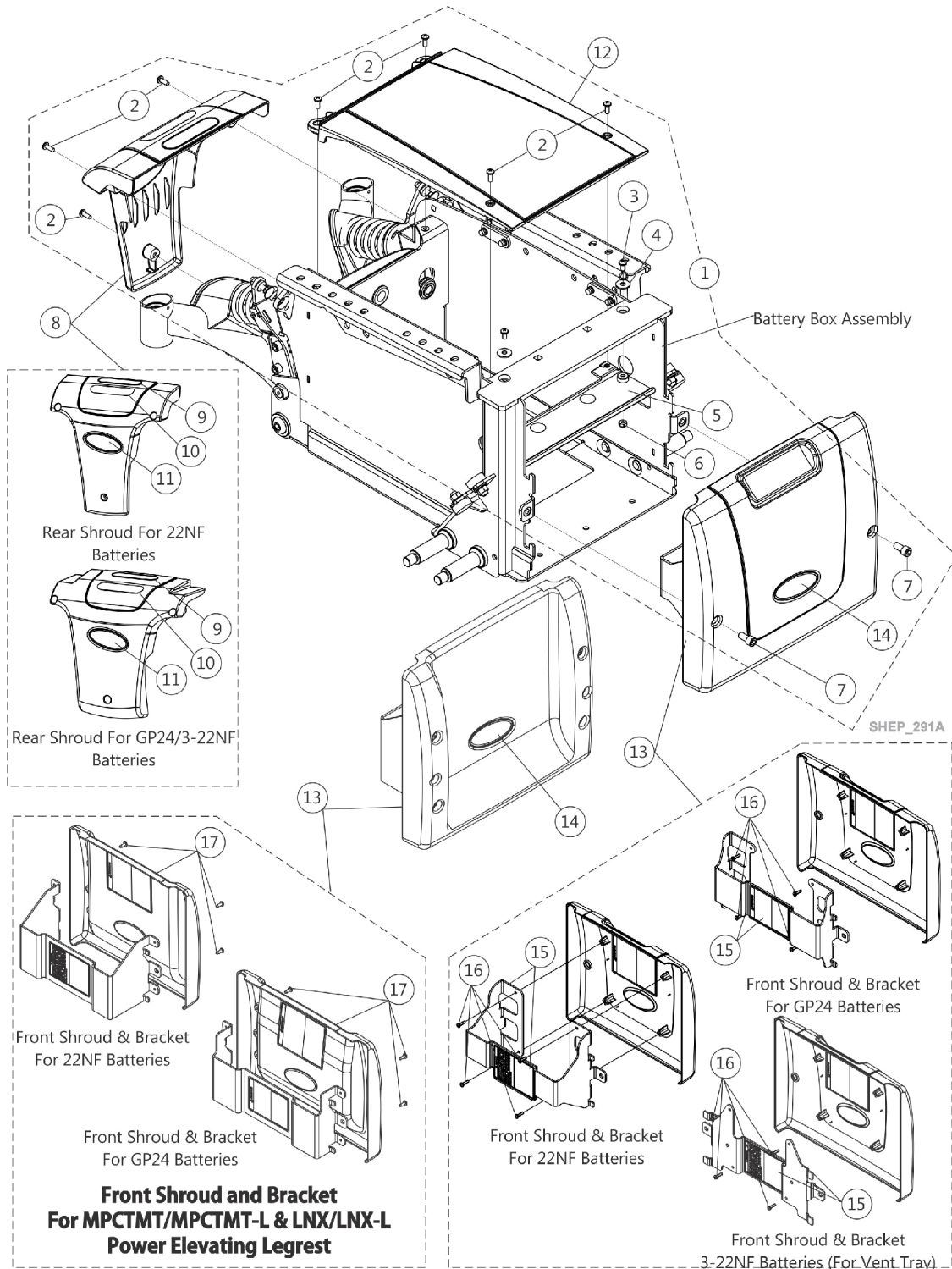


Shrouds and Hardware

NOTE: Front Shroud and Bracket are different when a Footboard Assembly is used. See page titled "Footboard Assembly"



Shrouds and Hardware

NOTE: Front Shroud and Bracket are different when a Footboard Assembly is used. See page titled "Footboard Assembly"

Item Number	Note	Part Number	Description	Quantity Per	
				Package	Assembly
1	A	1144651	Kit, Shroud Hardware (For 22NF Batteries)	1	1
2			Screw, Phillips Pan Head (#10-32 x 1/2")	1	7
3			Screw, Phillips Pan Head (#10-32 x 3/8")	1	2
4			Washer (1/4 x 23/32 x 1/16")	1	2
5			Shroud, Isolation	1	1
6			Locknut (#10-32)	1	2
7			Screw, Socket Head w/ Patch (5/16-18 x 5/8")	1	2
1	A	1147115	Kit, Shroud Hardware (For GP24/3-22NF Batteries)	1	1
2			Screw, Phillips Pan Head (#10-32 x 1/2")	1	7
3			Screw, Phillips Pan Head (#10-32 x 3/8")	1	2
4			Washer (1/4 x 23/32 x 1/16")	1	2
5			Shroud, Isolation (For GP24/3-22NF Batteries)	1	1
6			Locknut (#10-32)	1	2
7			Screw, Socket Head w/ Patch (5/16-18 x 5/8")	1	2
8	B,D	1144648	Shroud w/ Decal - Rear	1	1
8	D	1144650	Shroud w/ Decal - Rear (TRRO/TRBKTS)	1	1
8	D	1147039	Kit, Shroud w/ Decals, Rear (GP24/3-22NF Batteries) (TRRO/TRBKTS Option)	1	1
9		1119281-NLA	NLA - Plate, Name, Patent Numbers	1	1
10		1035900	Decal, Transportation	1	1
12		1144643	Shroud, Center	1	1
12		1144644	Shroud, Center (TRRO/TRBKTS)	1	1
12		1147035	Shroud, Center (GP24 Batteries) (TRRO/TRBKTS Option)	1	1
13	C	1144642	Front Shroud and Bracket Assembly, Non-Elevate, Narrow (2-22NF Batteries)	1	1
13	C	1147121	Front Shroud and Bracket Assembly, Non-Elevate, Wide (GP24 Batteries)	1	1
13	C	1147123-NLA	NLA - Front Shroud and Bracket Assembly, Non-Elevate, Wide (3-22NF Batteries For Vent Tray)	1	1
13	E,F	1160940	Front Shroud and Bracket Assembly, Non-Elevate, Narrow (2-22NF Batteries)	1	1
13	E	1160941	Front Shroud and Bracket Assembly, Non-Elevate, Wide (GP24 Batteries)	1	1
15		1145069	Kit, Front Shroud Bracket w/ Decal, Black	1	1
15		1147124	Kit, Front Shroud Bracket w/ Decal, Black (For GP24 Batteries)	1	1
15		1147125-NLA	NLA - Kit, Front Shroud Bracket w/ Decal, Black (3-22NF Batteries For Vent Tray)	1	1
16		1114276	Screw, Phillips Pan Head (#8-16 x 5/8")	1	4
17		1028484	Screw, Phillips Pan Head Tap (#10-32 x 1/2")	1	4

Shrouds and Hardware

NOTE: Front Shroud and Bracket are different when a Footboard Assembly is used. See page titled "Footboard Assembly"

- NOTE:
- A - Includes Items 2-7
 - B - Includes Items 9-11
 - C - Includes Items 15-16
 - D - The controller is also covered by the Rear Shroud
 - E - Includes the Shroud, Bracket, Decals and item #17. This Front Shroud is used for MPCTMT/MPCTMT-L and LNX/LNX-L Power Elevating Legrest only.
 - F - As of 10/24/18 part number 1160940 Front Shroud Assembly was revised to have a more shallow concave design and is backward compatible for wheelchairs manufactured before 10/24/18.

Item #11 and #14 Reflective Decal is not available for sale individually.