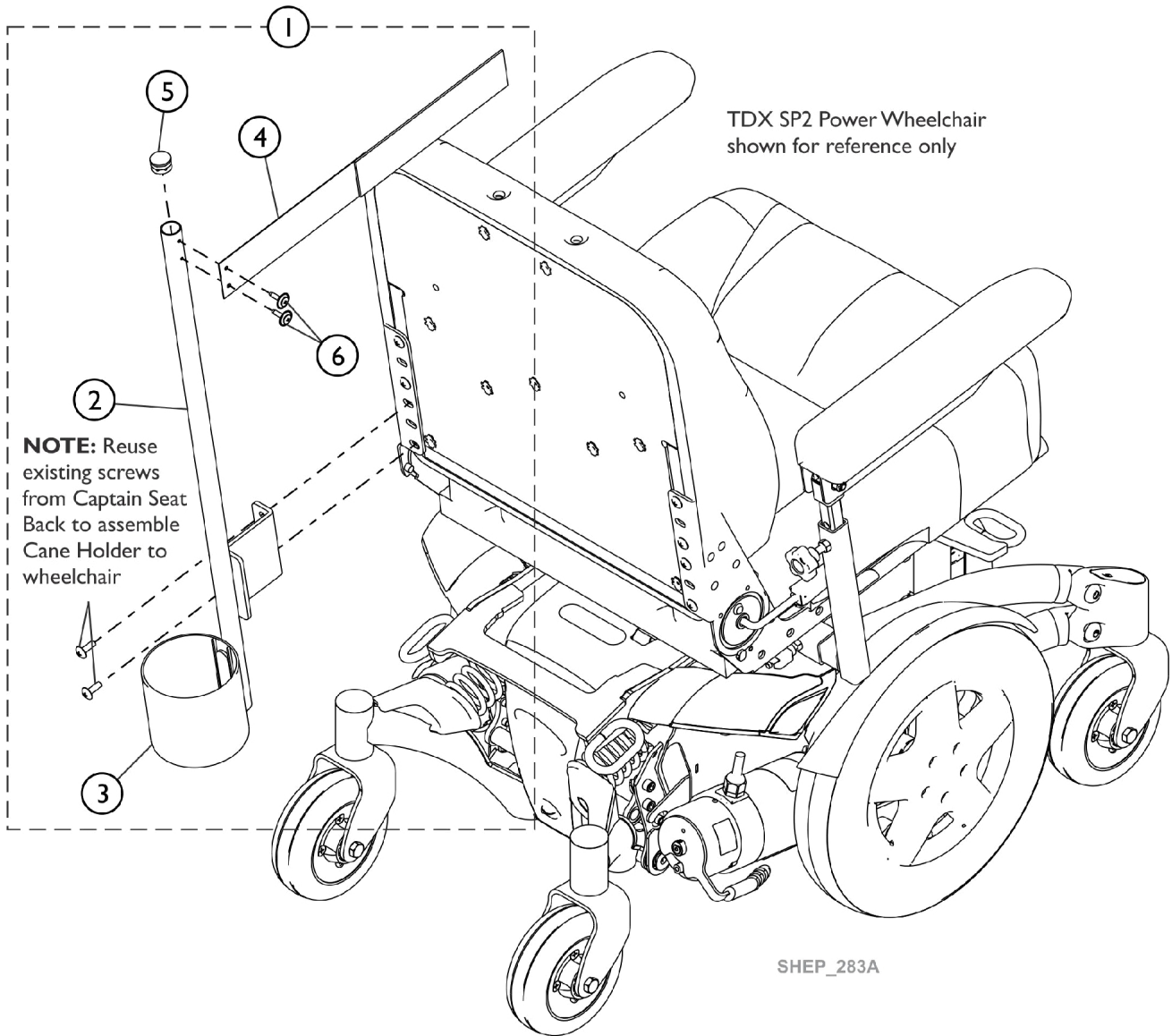


Crutch and Cane Holder - CSCC



Crutch and Cane Holder - CSCC

| Item Number | Note | Part Number | Description | Quantity Per | |
|-------------|------|-------------|--|--------------|----------|
| | | | | Package | Assembly |
| 1 | A | 60108349 | Kit, Crutch and Cane Holder Assembly, Black - Captain Seat | 1 | 1 |
| 2 | | | Bracket, Crutch and Cane Holder, Black | 1 | 1 |
| 3 | | | Cup, Crutch/Cane Holder, Black | 1 | 1 |
| 4 | | | Crutch and Cane Holder Strap Assembly | 1 | 1 |
| 5 | | | Plug Button, Black (7/8") | 1 | 1 |
| 6 | | | Screw w/ Washer (#10 x 7/8") | 1 | 2 |

NOTE: A - Includes items 2-6