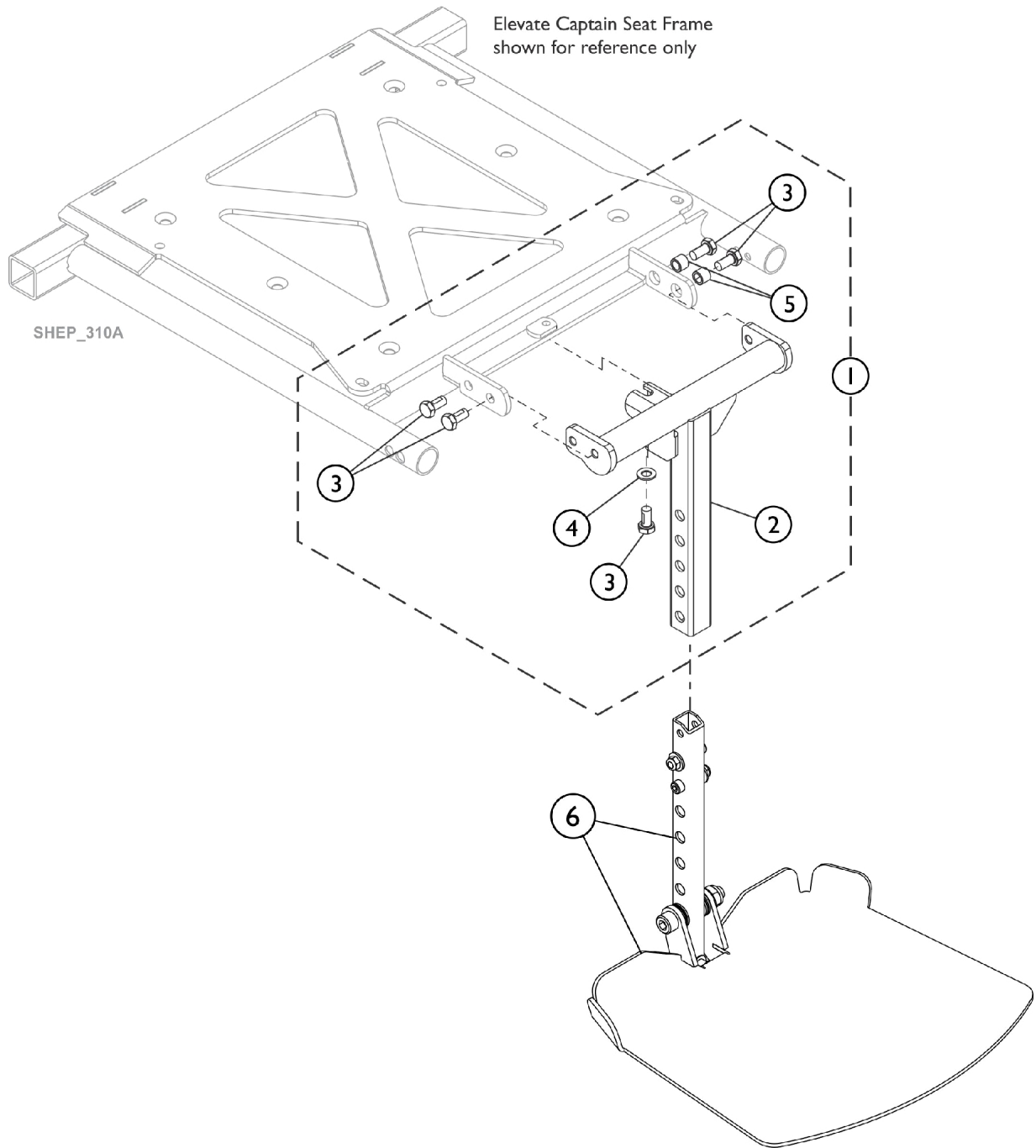


Center Mount Rigging Support Hanger Bracket Assembly and Footplate (FCMT90) (For Non-Elevate and Elevate Option)



**FCMT90 Basic Fixed Center Mount
Footplate Assembly (12" x 11")
with Hardware**

Center Mount Rigging Support Hanger Bracket Assembly and Footplate (FCMT90) (For Non-Elevate and Elevate Option)

Item Number	Note	Part Number	Description	Quantity Per	
				Package	Assembly
1	A	60108440	Kit, Support Hanger Assembly w/ Hardware, FCMT90	1	1
2			Support Hanger Assembly, FCMT90	1	1
3			Screw, Hex Head w/ Patch (5/16-18 x 5/8")	1	3
4			Washer, Flat (5/16 x 5/8 x 1/16")	1	1
5			Spacer (5/16 x 7/16 x 3/8")	1	2
6	B	60105142	Basic Fixed Center Mount Footplate Assembly, 70/90/97 Degree (12" W x 11" D)	1	1

NOTE: A - Includes items 2-5.
B - Includes the Mounting Hardware. Used for 90 Degree setting only.