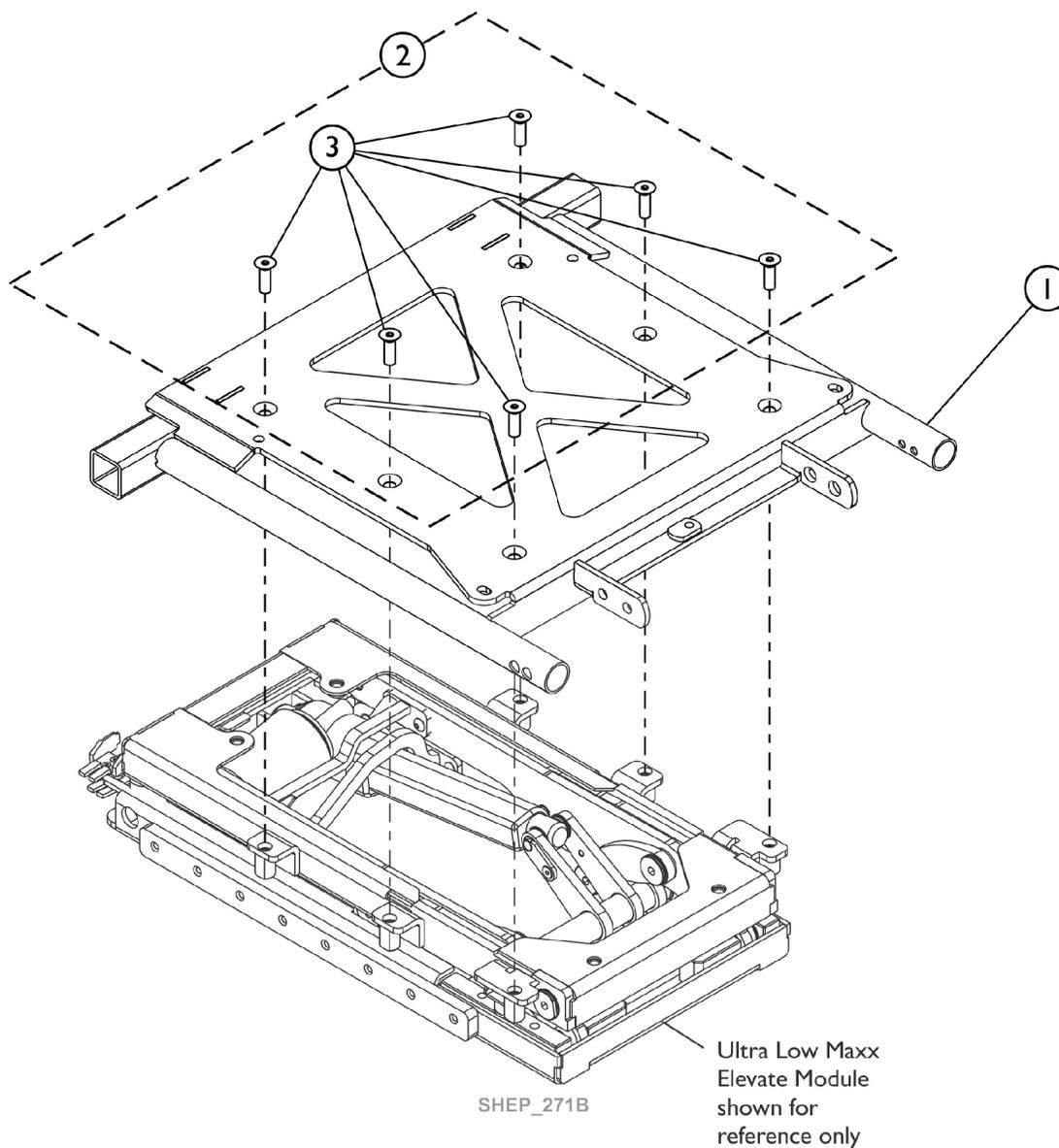


# Captain Seat Frame and Mounting Hardware, Elevate For 70NHD/FCMT90 Front Riggings

Note: Ultra Low Elevate Module including the Elevate Actuator are Non-Serviceable in the Field.



# Captain Seat Frame and Mounting Hardware, Elevate For 70NHD/FCMT90 Front Riggings

**Note: Ultra Low Elevate Module including the Elevate Actuator are Non-Serviceable in the Field.**

Item Number	Note	Part Number	Description	Quantity Per	
				Package	Assembly
1		60108443	Kit, Frame, Captain Seat, Black, Elevate (16" W)	1	1
1		60108444	Kit, Frame, Captain Seat, Black, Elevate (18" W)	1	1
1		60108445	Kit, Frame, Captain Seat, Black, Elevate (20" W)	1	1
1		60108446	Kit, Frame, Captain Seat, Black, Elevate (22" W)	1	1
1		60108447	Kit, Frame, Captain Seat, Black, Elevate 450Lb. (22" W)	1	1
1	B	60108448	Kit, Frame, Captain Seat, Black, Elevate (24" W)	1	1
2	A	60104883	Kit, Captain Seat Frame Mounting Hardware (Elevate)	1	1
3			Screw, Socket Flat Countersunk Head Cap (M8 x 1.25 x 25)	1	6

NOTE: A - Includes item #3.  
B - 24" Wide only comes with one Captain Seat Frame that is standard for 450Lbs.