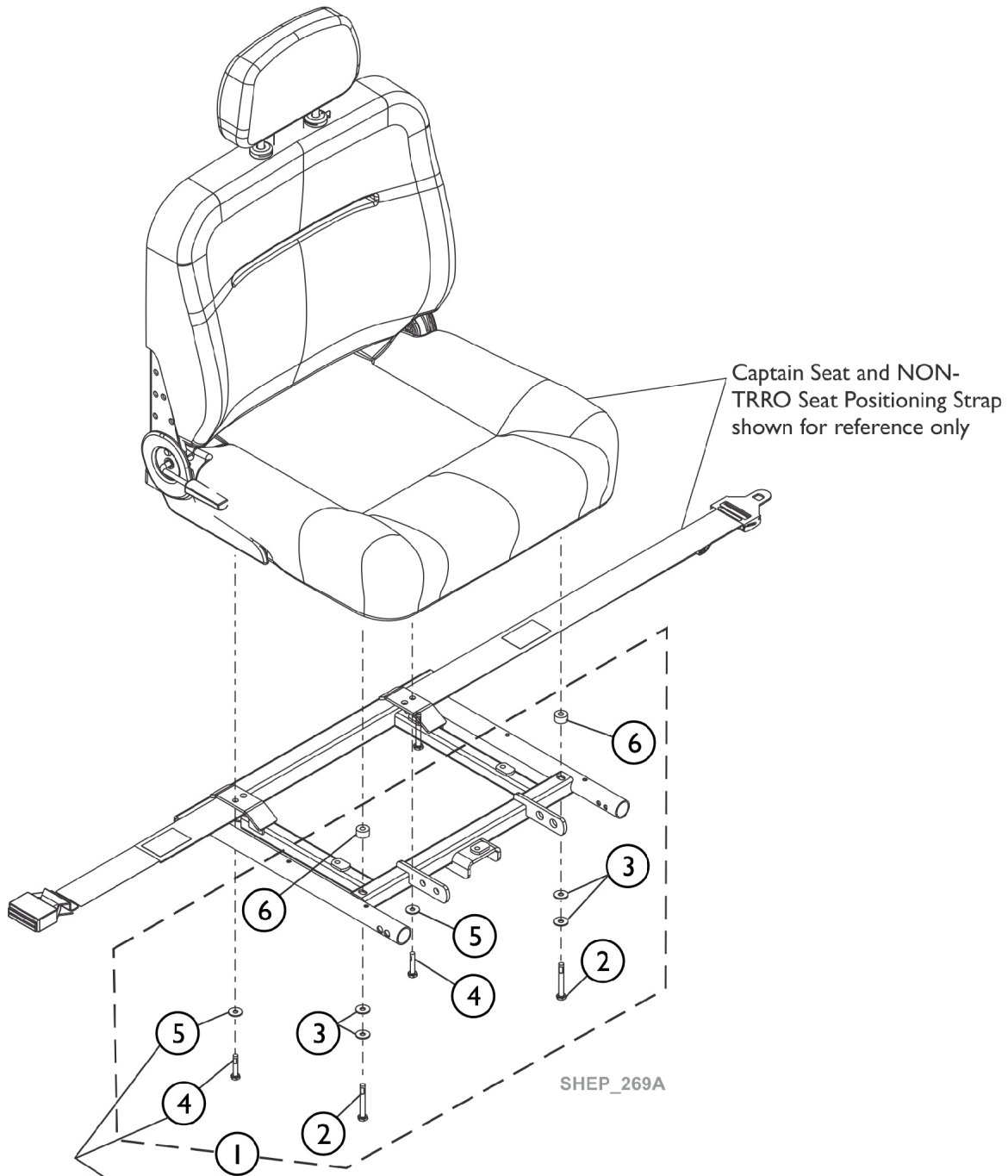


Captain Seat Assembly Mounting Hardware - Non-Elevate & (Elevate w/ CTMT Front Riggings)



NOTE: Item 4 and 5 is also used to attach a NON-TRRO Positioning Strap to the Captain Seat Frame Assembly

Captain Seat Assembly Mounting Hardware - Non-Elevate & (Elevate w/ CTMT Front Riggings)

Item Number	Note	Part Number	Description	Quantity Per	
				Package	Assembly
1	A	1147626	Kit, Captain Seat Mounting Hardware	1	1
2			Screw, Hex Head Cap w/ Patch (1/4-20 x 2-1/4")	1	2
3			Washer, Steel (1/4 x 5/8 x 3/32")	1	2
4			NLA - Screw, Hex Head Cap w/ Patch (1/4-20 x 1")	1	2
5			Washer (1/4 x 23/32 x 1/16")	1	2
6			NLA - Spacer (1/4 x 5/8 x 3/8")	1	2

NOTE: A - Includes items 2-6