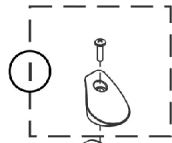
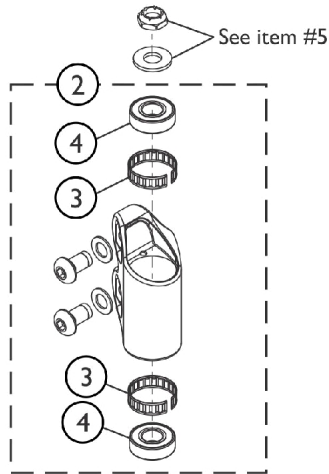


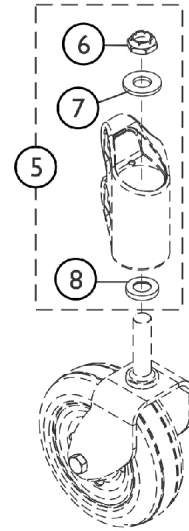
Caster - 6" Front and Rear - Double Sided Fork



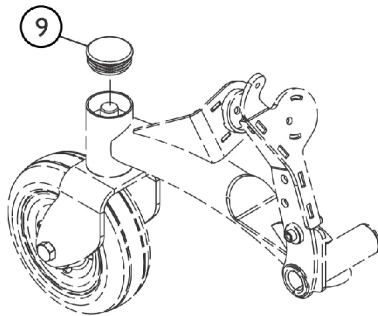
Front Head Tube Cap Kit



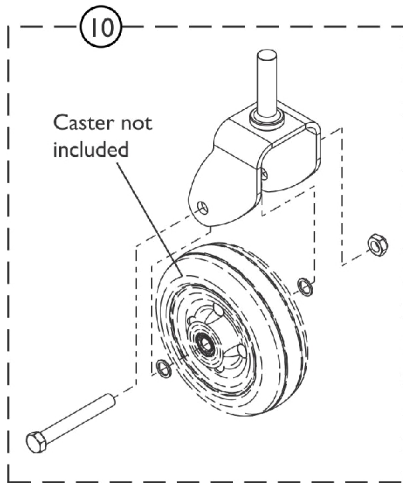
Front Head Tube Assembly Kit



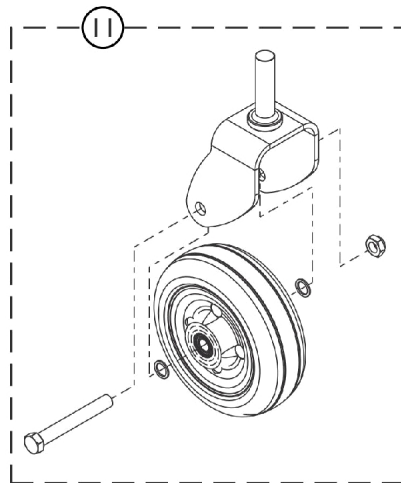
Fork Mounting Hardware Front and Rear



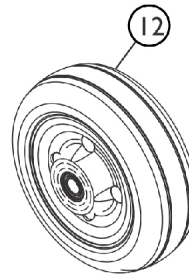
Rear Head Tube Cap



2-Sided Fork and Caster Hardware Kit (Standard)



2-Sided Fork w/ Caster and Hardware Kit (Standard)



SHEP_188B

Caster - 6" Front and Rear - Double Sided Fork

Item Number	Note	Part Number	Description	Quantity Per	
				Package	Assembly
1		60102575	Kit, Head Tube Cap w/ Screw, Front - Right	1	1
1		60102577	Kit, Head Tube Cap w/ Screw, Front - Left	1	1
2	A	60102578	Kit, Front Head Tube Assembly - Right	1	1
2	A	60102576	Kit, Front Head Tube Assembly - Left	1	1
3		1110717	Ring, Tolerance	1	2
4		40117X006	Bearing (5/8")	1	2
5	D	1110684	Kit, Fork Mounting Hardware	1	1
6			Locknut (5/8-18)	1	1
7			Washer, Nylon (5/8 x 1-5/16 x 1/8")	1	1
8			Spacer, Stem (5/8 x 1-1/8 x 3/16")	1	1
9		60102818	Cap, Head Tube, Black	1	1
10		60102579	Kit, 2-Sided Fork and Caster Mounting Hardware	1	1
10	B	60102593	Kit, 2-Sided Fork, TRRO/TRBKTS and Caster Mounting Hardware	1	1
11	B	60102712	Kit, 2-Sided Fork, TRRO/TRBKTS w/ Caster Assembly and Hardware	1	1
12	C	60102604	Kit, Wheel Assembly, Urethane, Deep Profile, Black Tire/Black Hub (6" x 2")	1	1

NOTE: A - Includes the Front Head Tube, Hardware and items 3 and 4. The Front Head Tube contains two plastic flange bearings (not shown) that are press fitted into place and not sold separately
B - The TRRO or TRBKTS option 2-sided fork will have stamped centered dimple on the side and radius outside edges
C - Includes the Wheel Assembly w/ Bearings.
D - Includes items 6-8