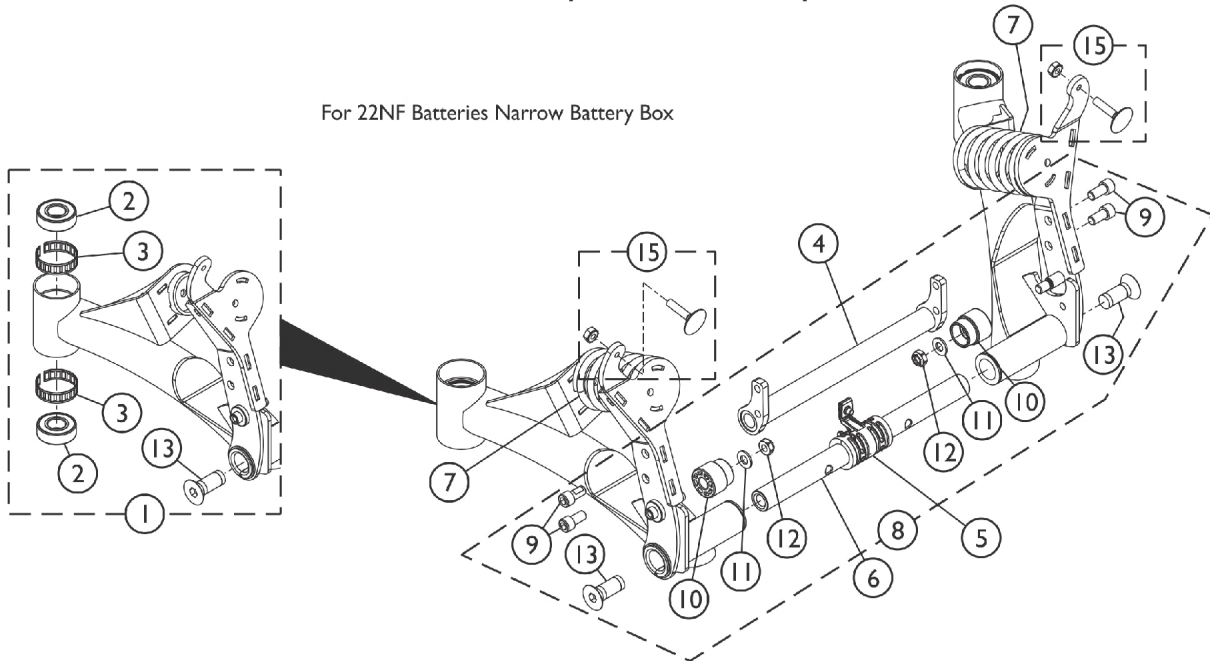


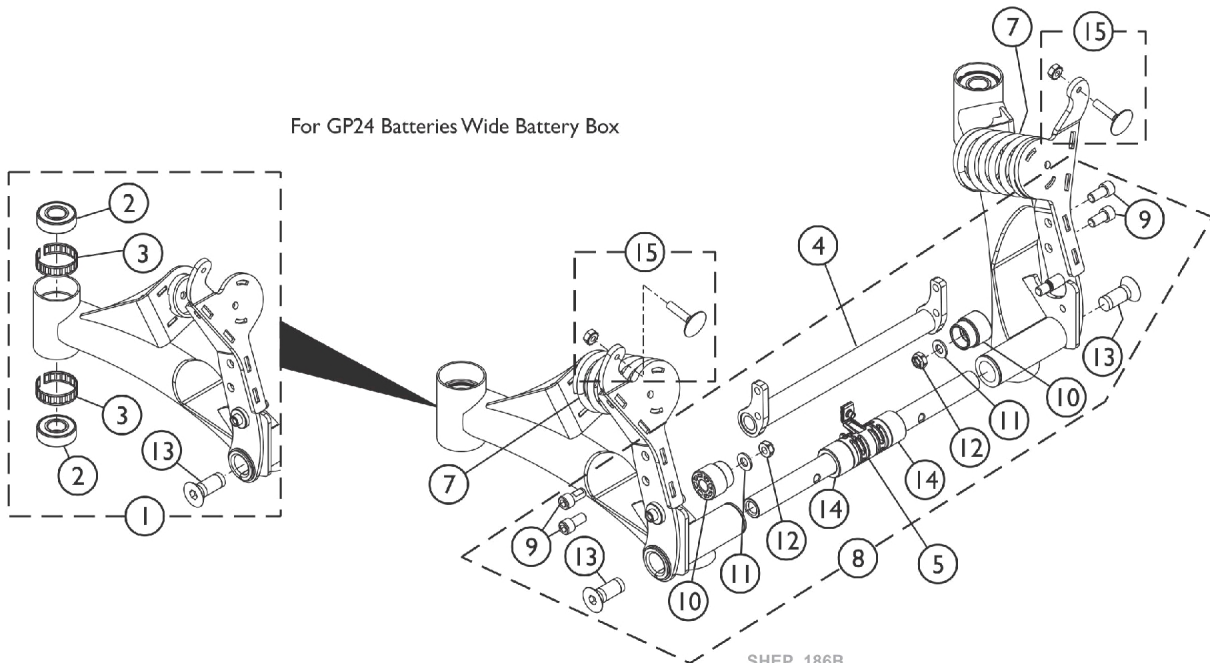
Rear Pivot Assembly

NOTE: TDX SP2 Rear Pivot Assembly is currently Non-Serviceable in the field. Power wheelchair must be returned to Invacare Corporation for repair.

For 22NF Batteries Narrow Battery Box



For GP24 Batteries Wide Battery Box



SHEP_186B