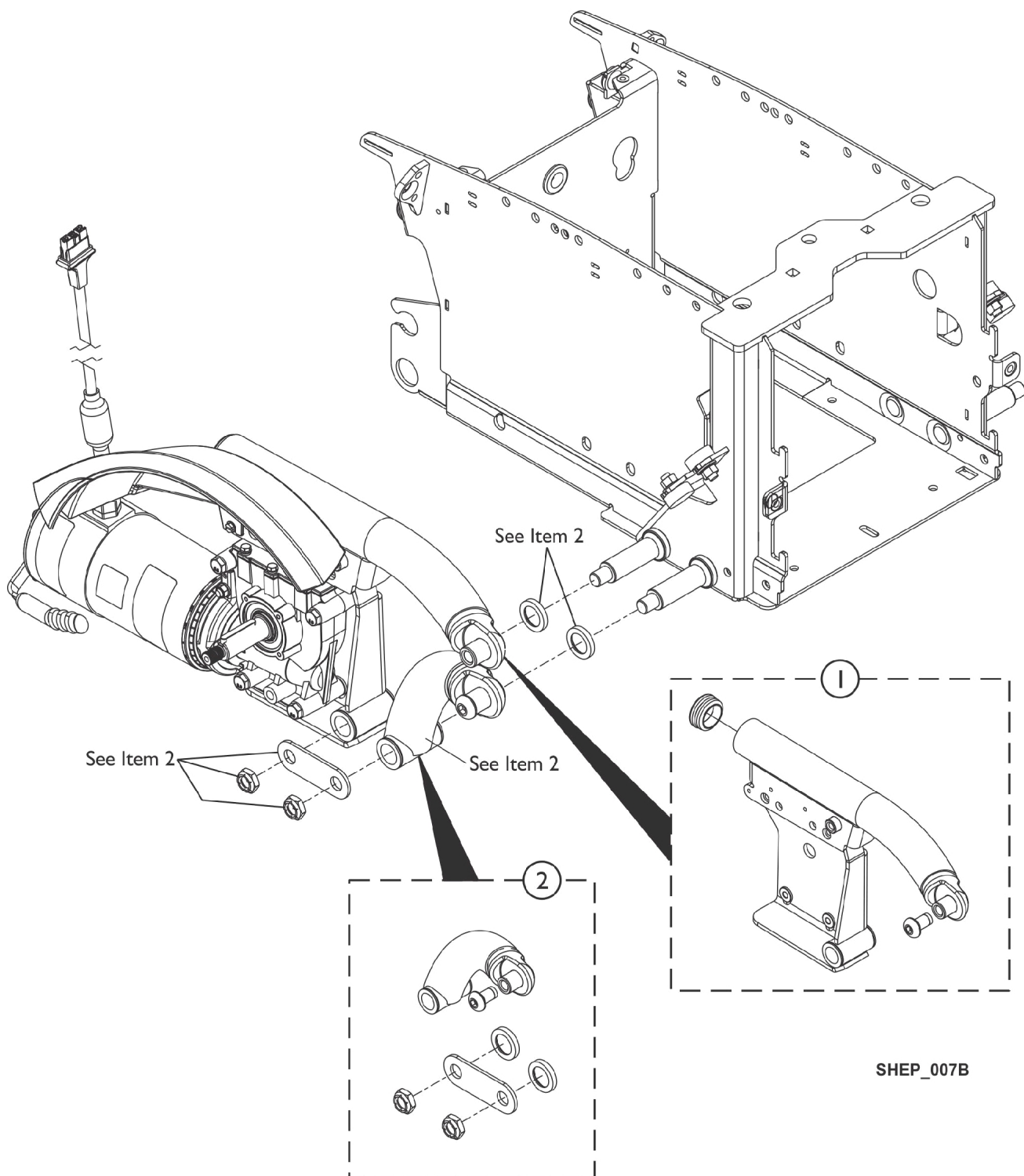


Walking Beam, Lower Pivot Link and Mounting Hardware



SHEP_007B

Walking Beam, Lower Pivot Link and Mounting Hardware

Item Number	Note	Part Number	Description	Quantity Per	
				Package	Assembly
1		60102580	Kit, Walking Beam Assembly, Black, SSD - Right	1	1
1		60102581	Kit, Walking Beam Assembly, Black, SSD - Left	1	1
1		60108355	Kit, Walking Beam Assembly, Black, SSD, 450 Lb. Wgt. Limit - Right	1	1
1		60108356	Kit, Walking Beam Assembly, Black, SSD, 450 Lb. Wgt. Limit - Left	1	1
2	A	60102819	Kit, Link Assembly w/ Mounting Hardware, Lower Pivot, Black - Right	1	1
2	A	60102820	Kit, Link Assembly w/ Mounting Hardware, Lower Pivot, Black - Left	1	1
NOTE: A - Lower Pivot Link includes 2 ea. press fitted plastic Flange Bearing (not shown). The Flange Bearings are not sold separately.					