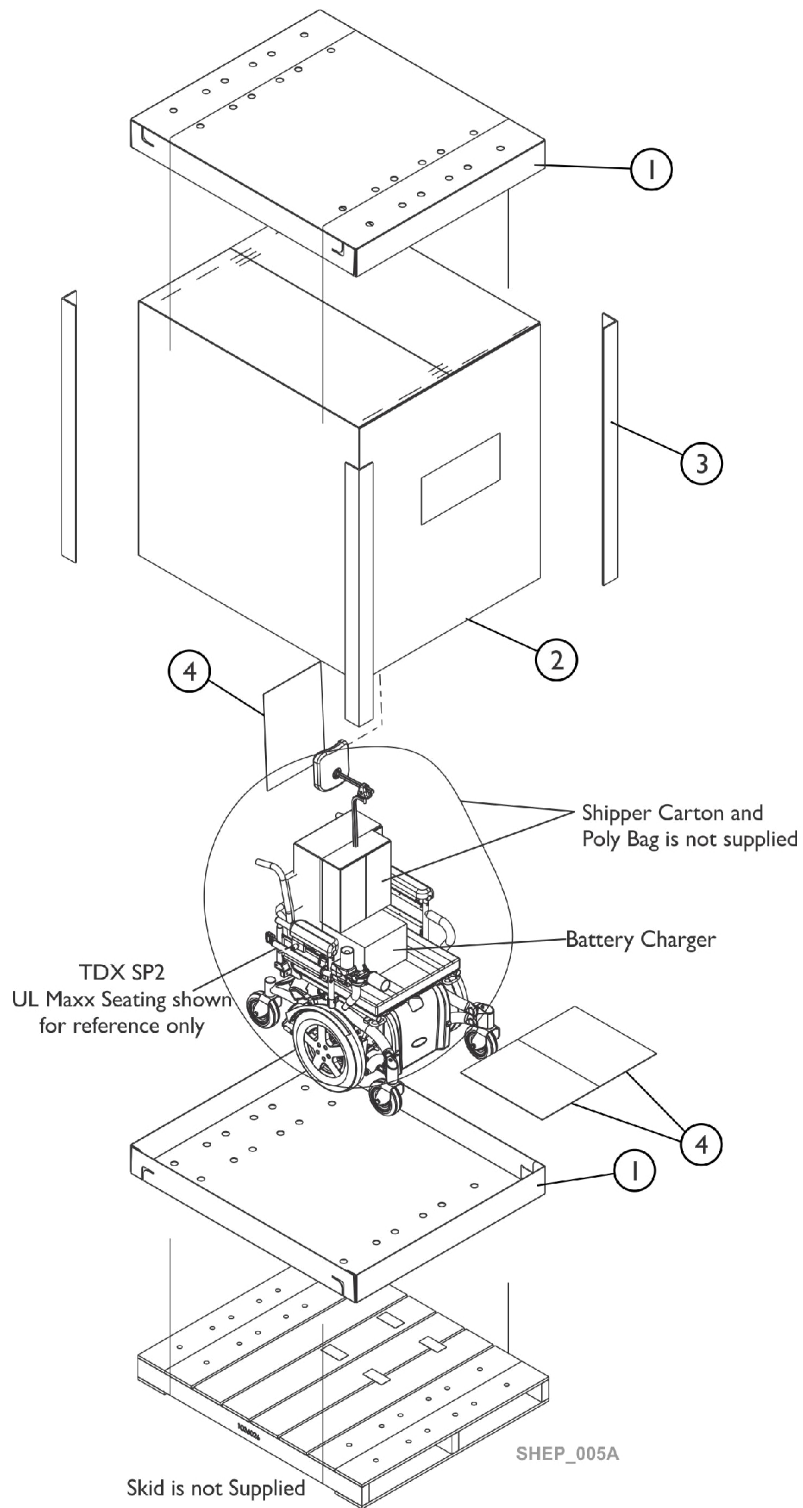


# Packaging, Literature and Decals



## Packaging, Literature and Decals

Item Number	Note	Part Number	Description	Quantity Per	
				Package	Assembly
1		1036027	Carton, Tray	1	2
2		1036028	Carton, Cover	1	1
3		1129590	Carton, Corner Reinforcement	1	4
4		40131X161	Insert, Plain Pad	1	3
	A,B	1183488	Decal, TDX SP2 - Left	1	1
	A,B	1183489	Decal, TDX SP2 - Right	1	1

NOTE: A - Not Shown  
 B - Model Decal attaches to the Colored Bezel Shroud Assembly.

When adjusting or replacing parts, please refer to your Owner's Manual for assistance. The following Owner's Manuals can be found at [www.invacare.com/homecare](http://www.invacare.com/homecare) under Literature Search for the following: Part #60101876 Captain's Seat Owner's Manual, Part #60101877 TDX SP2V Power Base, #60101834 LiNX Control System REM400 Touch Screen Remote, #60101835 LiNX Control System Non-Expandable/Expandable Remotes.