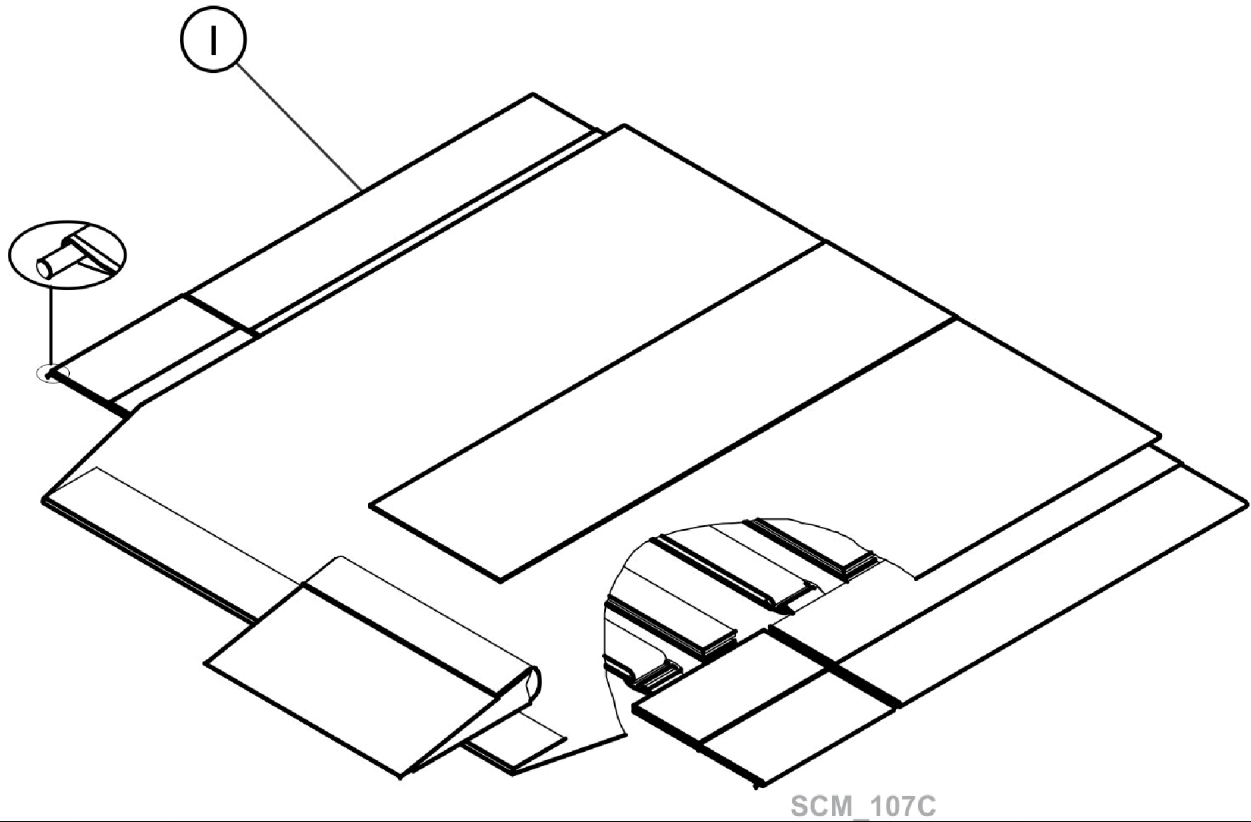


# Upholstery - Seat - Adjustable Tension and Depth (DAS)



Item Number	Note	Part Number	Description	Quantity Per	
				Package	Assembly
1		See Chart	#1. Upholstery - Seat - Complete	1	1

## #1. Upholstery - Seat - Complete

Chair Width	12 - 13" W	14 - 15" W	16 - 17" W	18 - 19" W	20 - 21" W
14 - 16" D	SP1582596	SP1582598	SP1582601	SP1582775	N/A
16 - 18" D	SP1582597	SP1582599	SP1582773	SP1582776	SP1582778
20 - 21" D	N/A	SP1582600	SP1582774	SP1582777	SP1582779