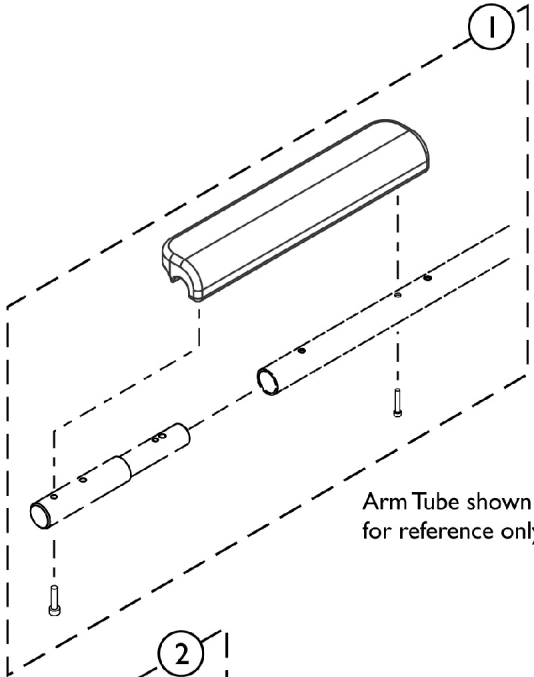
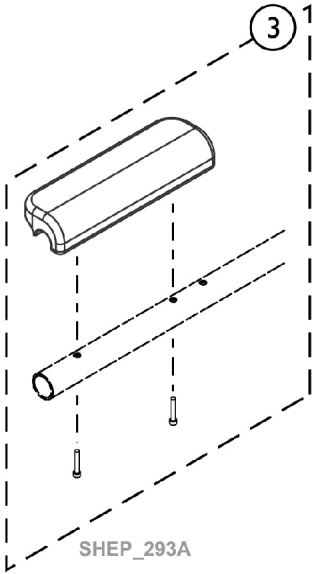
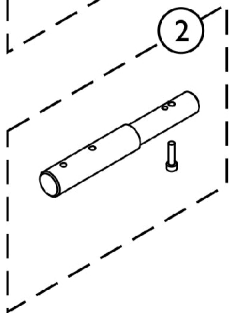


Arm Pad Assembly, Waterfall , Desk (WFALL-RD/LD), Full Length (WFALL-RF/LF)



Arm Tube shown for reference only



Arm Pad Assembly, Waterfall , Desk (WFALL-RD/LD), Full Length (WFALL-RF/LF)

Item Number	Note	Part Number	Description	Quantity Per	
				Package	Assembly
1	A	60106010	Kit, Arm Pad w/ Screws, Full, Waterfall	1	1
2		60102710	Kit, Desk to Full Armrest Extension	1	1
3	A	60106009	Kit, Arm Pad w/ Screws, Desk, Waterfall	1	1

NOTE: A - Arm Pad can assemble to the right or left side of the wheelchair.