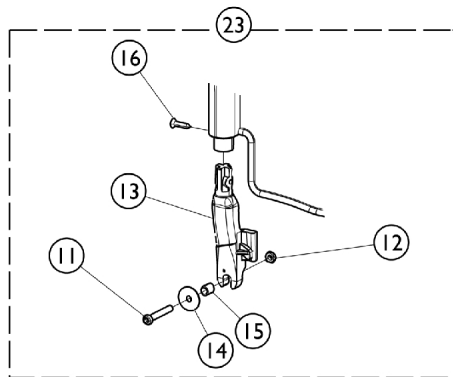
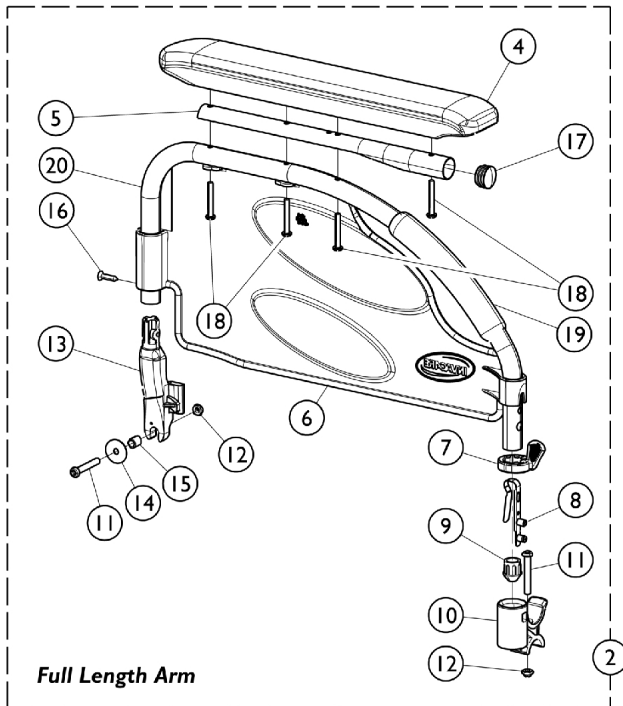
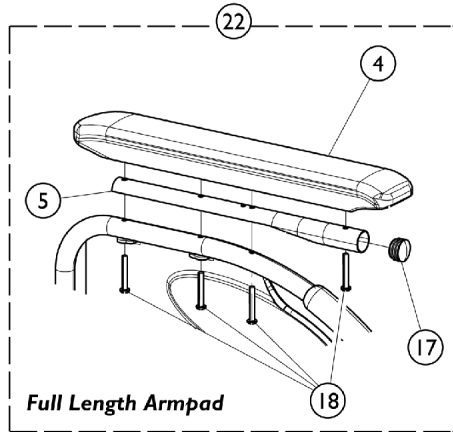
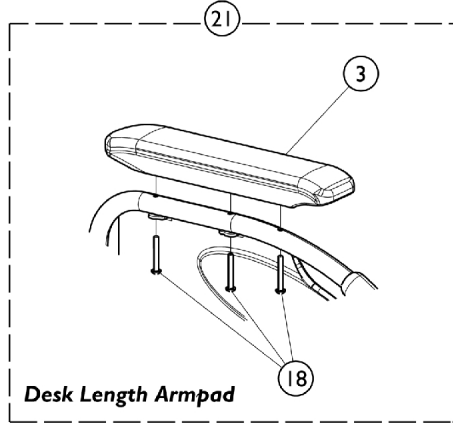
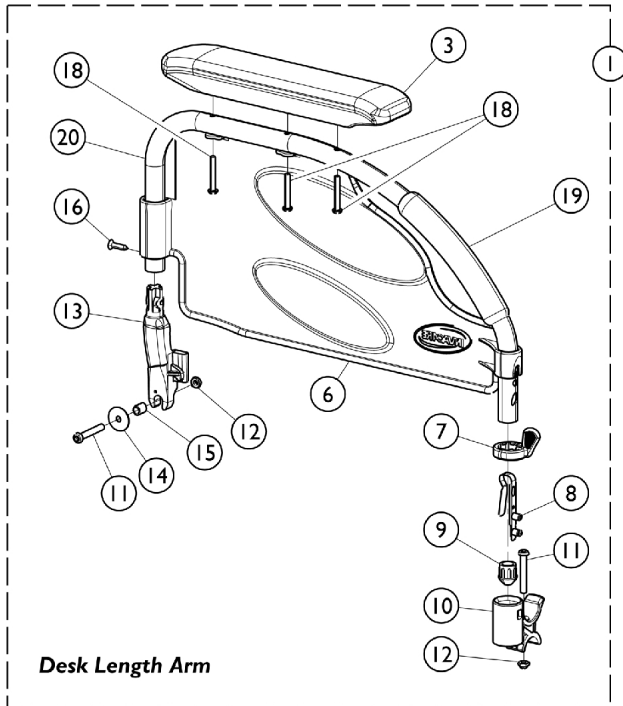


# Arms - Conventional Fixed Height

## Desk Length (CNAD), Full Length (CNAF)



## Arms - Conventional Fixed Height Desk Length (CNAD), Full Length (CNAF)

Item Number	Note	Part Number	Description	Quantity Per		
				Package	Assembly	
1	A	8881169065	Armrest Assembly, Swingaway, Fixed Height, Desk Length, Color - Right	1	1	
3			Arm Pad, Desk Length	1	1	
6			Guard, Clothing, Desk Length - Right	1	1	
7			Lever, Release	1	1	
8			Button, Spring	1	1	
9			Plug, Armrest	1	1	
10			Support, Armrest, Front	1	1	
11			Screw (M6 x 45mm)	1	2	
12			NLA - Locknut (M6 x 1)	1	2	
13			Support, Armrest - Right	1	1	
14			Washer (6.6 x 22 x 2)	1	1	
15			Bushing, Black	1	1	
16			Screw, Countersunk (M4.8)	1	1	
18			Screw, Socket, Button Head (M5 x 35mm)	1	3	
19			Grip, Foam Armrest	1	1	
20			Tube, Armrest, Color	1	1	
1	A		8881169066	Armrest Assembly, Swingaway, Fixed Height, Desk Length, Color - Left	1	1
3				Arm Pad, Desk Length	1	1
6				Guard, Clothing, Desk Length - Left	1	1
7				Lever, Release	1	1
8		Button, Spring		1	1	
9		Plug, Armrest		1	1	
10		Support, Armrest, Front		1	1	
11		Screw (M6 x 45mm)		1	2	
12		NLA - Locknut (M6 x 1)		1	2	
13		Support, Armrest - Left		1	1	
14		Washer (6.6 x 22 x 2)		1	1	
15		Bushing, Black		1	1	
16		Screw, Countersunk (M4.8)		1	1	
18		Screw, Socket, Button Head (M5 x 35mm)		1	3	
19		Grip, Foam Armrest		1	1	
20		Tube, Armrest, Color		1	1	
2	B	8881169067		Armrest Assembly, Swingaway, Fixed Height, Full Length, Color - Right	1	1
4				Arm Pad, Full Length	1	1
5				Tube, Support, Armpad, Full Length	1	1
6				Guard, Clothing, Desk Length - Right	1	1
7			Lever, Release	1	1	
8			Button, Spring	1	1	
9			Plug, Armrest	1	1	
10			Support, Armrest, Front	1	1	
11			Screw (M6 x 45mm)	1	2	
12			NLA - Locknut (M6 x 1)	1	2	
13			Support, Armrest - Right	1	1	

## Arms - Conventional Fixed Height Desk Length (CNAD), Full Length (CNAF)

Item Number	Note	Part Number	Description	Quantity Per	
				Package	Assembly
14			Washer (6.6 x 22 x 2)	1	1
15			Bushing, Black	1	1
16			Screw, Countersunk (M4.8)	1	1
17			Button, Plug, Reflector (22mm)	1	1
18			Screw, Socket, Button Head (M5 x 35mm)	1	4
19			Grip, Foam Armrest	1	1
20			Tube, Armrest, Color	1	1
2	B	8881169068	Armrest Assembly, Swingaway, Fixed Height, Full Length, Color - Left	1	1
4			Arm Pad, Full Length	1	1
5			Tube, Support, Armpad, Full Length	1	1
6			Guard, Clothing, Desk Length - Left	1	1
7			Lever, Release	1	1
8			Button, Spring	1	1
9			Plug, Armrest	1	1
10			Support, Armrest, Front	1	1
11			Screw (M6 x 45mm)	1	2
12			NLA - Locknut (M6 x 1)	1	2
13			Support, Armrest - Left	1	1
14			Washer (6.6 x 22 x 2)	1	1
15			Bushing, Black	1	1
16			Screw, Countersunk (M4.8)	1	1
17			Button, Plug, Reflector (22mm)	1	1
18			Screw, Socket, Button Head (M5 x 35mm)	1	4
19			Grip, Foam Armrest	1	1
20			Tube, Armrest, Color	1	1
21	C	1182182	Kit, Armpad, Full Length (Pair) (CNAF, TAF)	1	1
3			Arm Pad, Full Length	1	2
18			Screw, Socket, Button Head (M5 x 35mm)	1	8
21	C	1162413	Kit, Armpad, Desk Length (Pair) (CNAD, TAD)	1	1
3			Arm Pad, Desk Length	1	2
18			Screw, Socket, Button Head (M5 x 35mm)	1	8
22	D	1432595	Kit, Desk to Full Armpad w/ Tube and Hardware	1	1
4			Arm Pad, Full Length	1	1
5			Tube, Support, Armpad, Full Length	1	1
17			Button, Plug, Reflector (22mm)	1	1
18			Screw, Socket, Button Head (M5 x 35mm)	1	4
23	E	1430423	Kit, Swingaway Armrest Support - Right	1	1
11			Support, Armrest - Right	1	1
12			Screw (M6 x 45mm)	1	1
13			NLA - Locknut (M6 x 1)	1	1
14			Washer (6.6 x 22 x 2)	1	1
15			Bushing, Black	1	1
16			Screw, Countersunk (M4.8)	1	1
23	E	1431284	Kit, Swingaway Armrest Support - Left	1	1
11			Support, Armrest - Left	1	1

## Arms - Conventional Fixed Height Desk Length (CNAD), Full Length (CNAF)

Item Number	Note	Part Number	Description	Quantity Per	
				Package	Assembly
12			Screw (M6 x 45mm)	1	1
13			NLA - Locknut (M6 x 1)	1	1
14			Washer (6.6 x 22 x 2)	1	1
15			Bushing, Black	1	1
16			Screw, Countersunk (M4.8)	1	1
NOTE: A - Includes items 3, 6-16 and 18-20. B - Includes items 4-20. C - Kit includes items 3 and 18. D - Kit includes items 4, 5, 17, and 18. E - Kit includes items 11 - 16.					