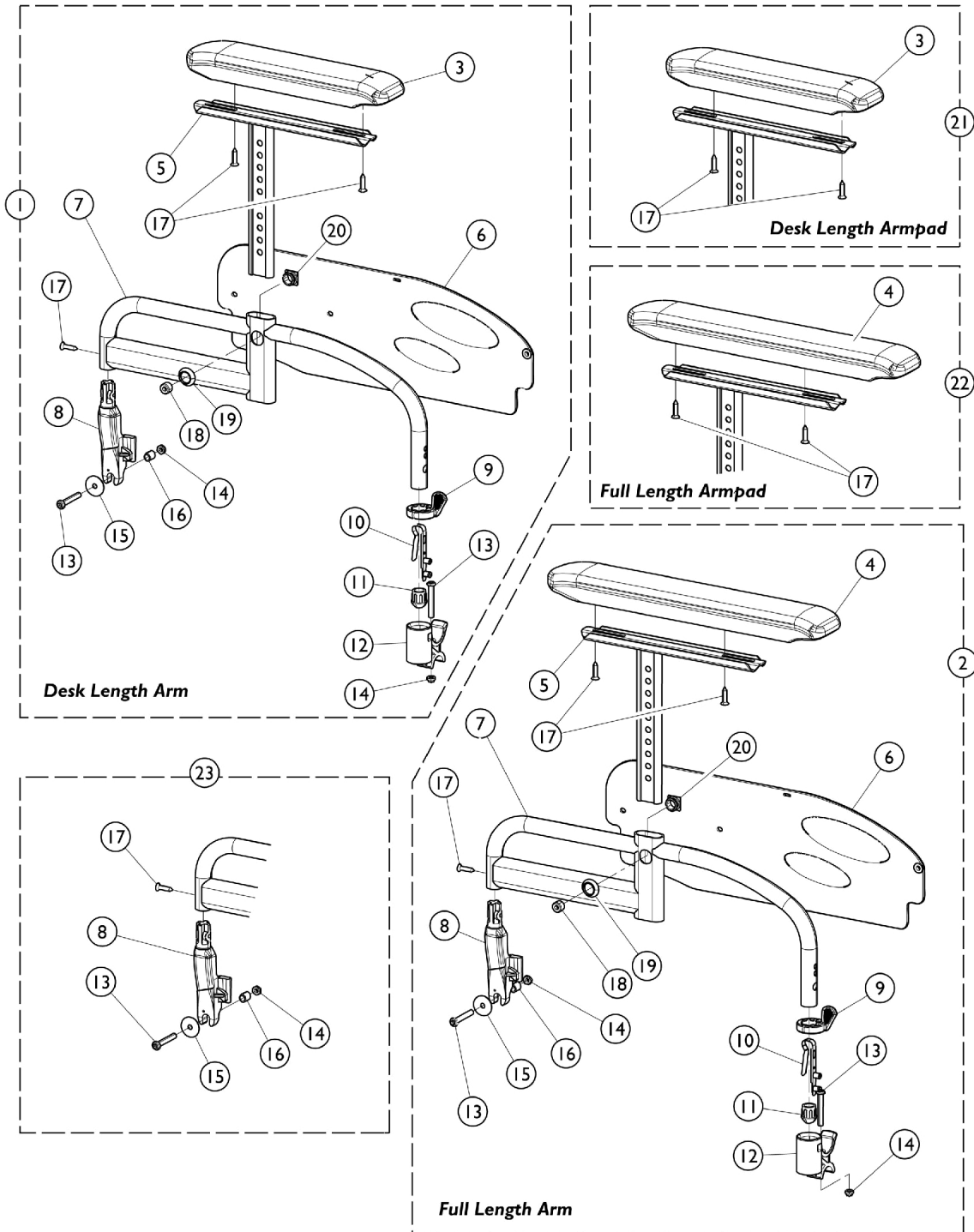


Arms - Conventional Adjustable Height Desk Length (CAD), Full Length (CAF)



Arms - Conventional Adjustable Height Desk Length (CAD), Full Length (CAF)

Item Number	Note	Part Number	Description	Quantity Per		
				Package	Assembly	
1	A	8881169069	Armrest Assembly, Swingaway, Adjustable Height, Desk Length, Color - Right	1	1	
3			Pad, Arm, Desk Length	1	1	
5			Arm Pad Mounting Assembly - Right	1	1	
6			Guard, Clothing	1	1	
7			Tube, Armrest, Color - Right	1	1	
8			Support, Armrest - Right	1	1	
9			Lever, Release	1	1	
10			Button, Spring	1	1	
11			Plug, Armrest	1	1	
12			Support, Armrest, Front	1	1	
13			Screw (M6 x 45mm)	1	2	
14			NLA - Locknut (M6 x 1)	1	2	
15			Washer (6.6 x 22 x 2)	1	1	
16			Bushing, Black	1	1	
17			Screw, Countersunk (M4.8)	1	1	
18			Screw, Socket Head (M12 x 12.5)	1	1	
19			Bushing, Armrest	1	1	
20			Nut, Square, Armrest	1	1	
1	A		8881169070	Armrest Assembly, Swingaway, Adjustable Height, Desk Length, Color - Left	1	1
3				Pad, Arm, Desk Length	1	1
5		Arm Pad Mounting Assembly - Left		1	1	
6		Guard, Clothing		1	1	
7		Tube, Armrest, Color - Left		1	1	
8		Support, Armrest - Left		1	1	
9		Lever, Release		1	1	
10		Button, Spring		1	1	
11		Plug, Armrest		1	1	
12		Support, Armrest, Front		1	1	
13		Screw (M6 x 45mm)		1	2	
14		NLA - Locknut (M6 x 1)		1	2	
15		Washer (6.6 x 22 x 2)		1	1	
16		Bushing, Black		1	1	
17		Screw, Countersunk (M4.8)		1	2	
18		Screw, Socket Head (M12 x 12.5)		1	1	
19		Bushing, Armrest		1	1	
20		Nut, Square, Armrest		1	1	
2	B	8881169071		Armrest Assembly, Swingaway, Adjustable Height, Full Length, Color - Right	1	1
4				Arm Pad, Full Length	1	1
5			Arm Pad Mounting Assembly - Right	1	1	
6			Guard, Clothing	1	1	
7			Tube, Armrest, Color - Right	1	1	
8			Support, Armrest - Right	1	1	
9			Lever, Release	1	1	

Arms - Conventional Adjustable Height Desk Length (CAD), Full Length (CAF)

Item Number	Note	Part Number	Description	Quantity Per	
				Package	Assembly
10			Button, Spring	1	1
11			Plug, Armrest	1	1
12			Support, Armrest, Front	1	1
13			Screw (M6 x 45mm)	1	2
14			NLA - Locknut (M6 x 1)	1	2
15			Washer (6.6 x 22 x 2)	1	1
16			Bushing, Black	1	1
17			Screw, Countersunk (M4.8)	1	3
18			Screw, Socket Head (M12 x 12.5)	1	1
19			Bushing, Armrest	1	1
20			Nut, Square, Armrest	1	1
2	B	8881169072	Armrest Assembly, Swingaway, Adjustable Height, Full Length, Color - Left	1	1
4			Arm Pad, Full Length	1	1
5			Arm Pad Mounting Assembly - Left	1	1
6			Guard, Clothing	1	1
7			Tube, Armrest, Color - Left	1	1
8			Support, Armrest - Left	1	1
9			Lever, Release	1	1
10			Button, Spring	1	1
11			Plug, Armrest	1	1
12			Support, Armrest, Front	1	1
13			Screw (M6 x 45mm)	1	2
14			NLA - Locknut (M6 x 1)	1	2
15			Washer (6.6 x 22 x 2)	1	1
16			Bushing, Black	1	1
17			Screw, Countersunk (M4.8)	1	3
18			Screw, Socket Head (M12 x 12.5)	1	1
19			Bushing, Armrest	1	1
20			Nut, Square, Armrest	1	1
21	C	1151395	Arm Pad w/Hardware, Desk Length	1	1
3			Pad, Arm, Desk Length	1	1
17			Screw, Phillips Flat Head (#4-40 x 3/8")	1	2
22	D	1151422	Arm Pad w/Hardware, Full Length	1	1
4			Pad, Arm, Full Length	1	1
17			Screw, Phillips Flat Head (#4-40 x 3/8")	1	3
23	E	1430423	Kit, Swingaway Armrest Support - Right	1	1
8			Support, Armrest - Right	1	1
13			Screw (M6 x 45mm)	1	1
14			NLA - Locknut (M6 x 1)	1	1
15			Washer (6.6 x 22 x 2)	1	1
16			Bushing, Black	1	1
17			Screw, Countersunk (M4.8)	1	1
23	E	1431284	Kit, Swingaway Armrest Support - Left	1	1
8			Support, Armrest - Left	1	1
13			Screw (M6 x 45mm)	1	1

Arms - Conventional Adjustable Height Desk Length (CAD), Full Length (CAF)

Item Number	Note	Part Number	Description	Quantity Per	
				Package	Assembly
14			NLA - Locknut (M6 x 1)	1	1
15			Washer (6.6 x 22 x 2)	1	1
16			Bushing, Black	1	1
17			Screw, Countersunk (M4.8)	1	1
NOTE: A - Includes items 3, 5, and 6 - 20. B - Includes items 4 - 20. C - Kit includes items 3 and 17. D - Kit includes items 4 and 17. E - Kit includes items 8 and 13 - 17.					