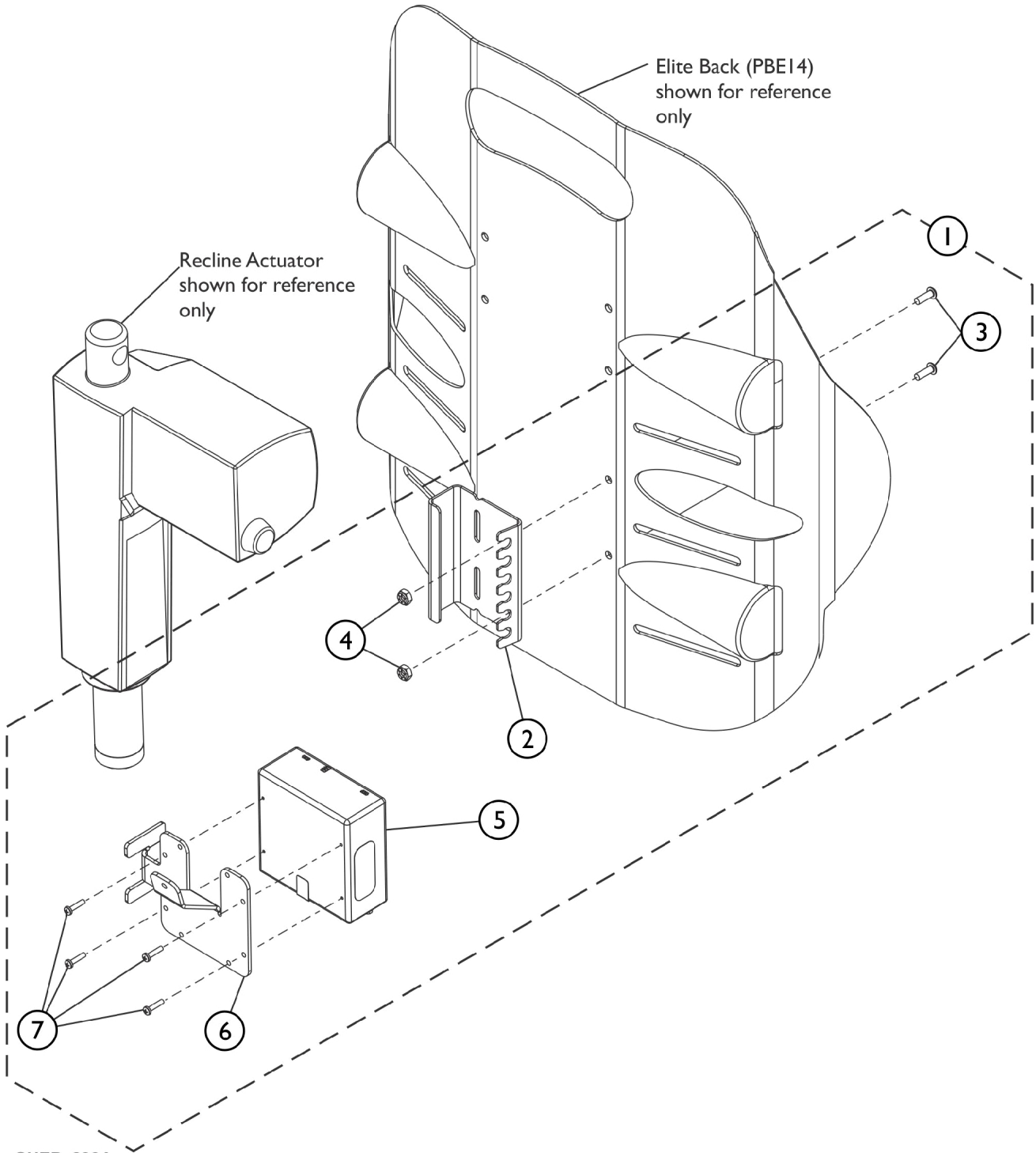


Tilt/Recline Actuator Module (TRAM) and Mounting Hardware

Formula (CGR/CGTR) & Conv. Actuators - TDX SP/SP-GT (3G Storm After 12/9/07) For Elite Back (PBE14)



Tilt/Recline Actuator Module (TRAM) and Mounting Hardware

Formula (CGR/CGTR) & Conv. Actuators - TDX SP/SP-GT (3G Storm After 12/9/07) For Elite Back (PBE14)

Item Number	Note	Part Number	Description	Quantity Per	
				Package	Assembly
1	A	60108399	Kit, MK6i Tilt/Recline Actuator Module (TRAM) and Hardware - Elite Back (PBE14)	1	1
2			Bracket, MK6i Connector, Short, Black	1	1
3			Screw, Socket Button Head Cap (8-32 x 1/2")	1	2
4			Locknut (#8-32)	1	2
5			Module, Tilt Recline Actuator (TRAM) - MK6i (36" L)	1	1
6			Bracket, MK6i Actuator Module, Black	1	1
7			Screw, Phillips Pan Head (#4-40 x 1/2")	1	4
			Sheet, Insert Parts Service	1	1
5	B	1140098	Module, Tilt Recline Actuator (TRAM) - MK6i (36" L)	1	1
		1101400	Harness, ELRPW Power Legrest - Right	1	1

NOTE: A - Includes items 2-7 and Service Parts Instruction Sheet.
 B - Not Shown. ELRPW Power Legrest Harness part #1101400 is used to connect between the TRAM Module and the Tilt Actuator as well