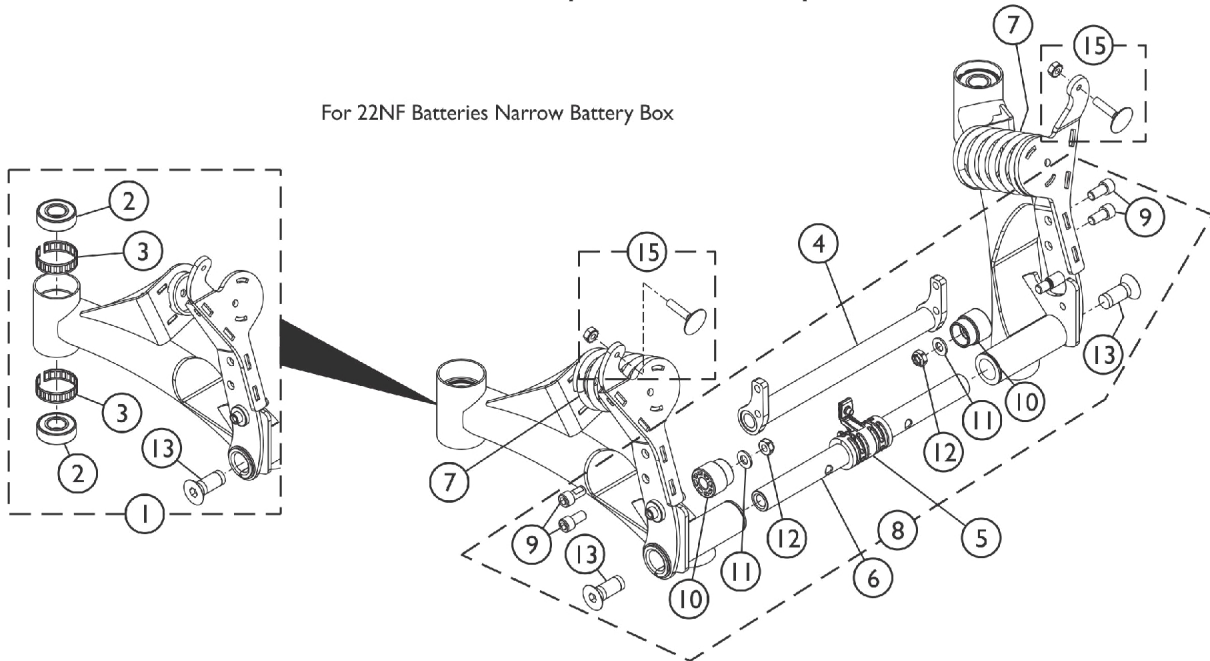


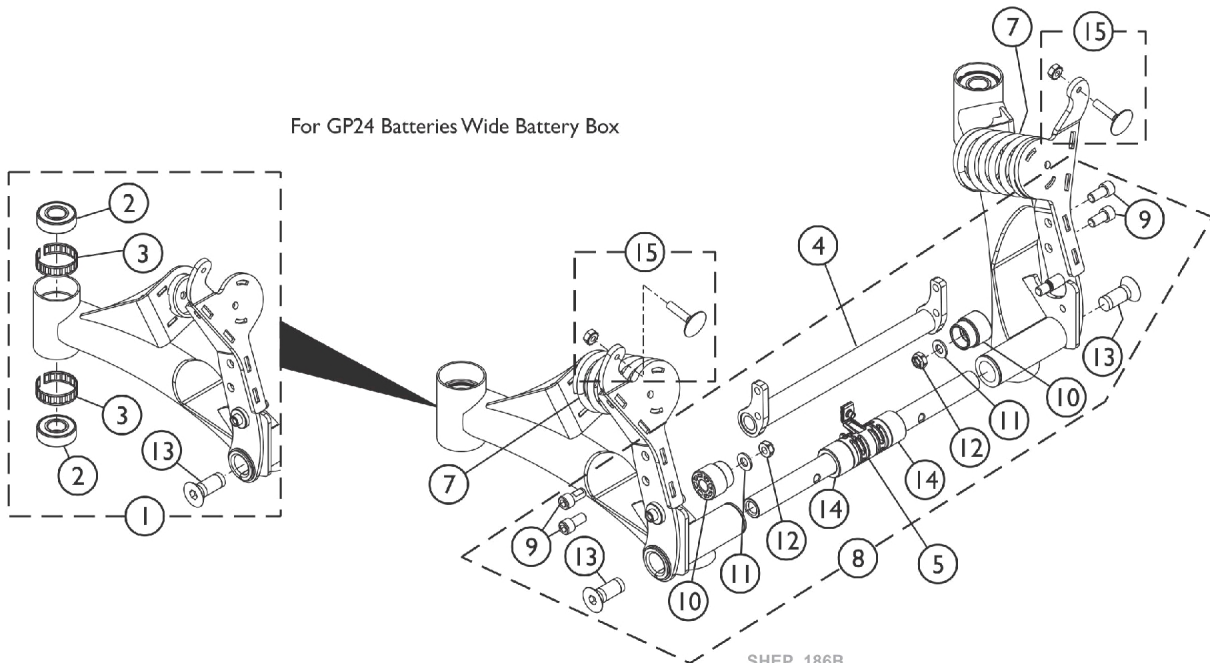
# Rear Pivot Assembly

**NOTE:** TDX SP2 Rear Pivot Assembly is currently Non-Serviceable in the field. Power wheelchair must be returned to Invacare Corporation for repair.

For 22NF Batteries Narrow Battery Box



For GP24 Batteries Wide Battery Box



SHEP\_186B

## Rear Pivot Assembly

Item Number	Note	Part Number	Description	Quantity Per	
				Package	Assembly
2	A	40117X006	Bearing (5/8")	1	2
3	A	1110717	Ring, Tolerance	1	2

NOTE: A - Item 2 and 3 are the only serviceable parts available at this time.