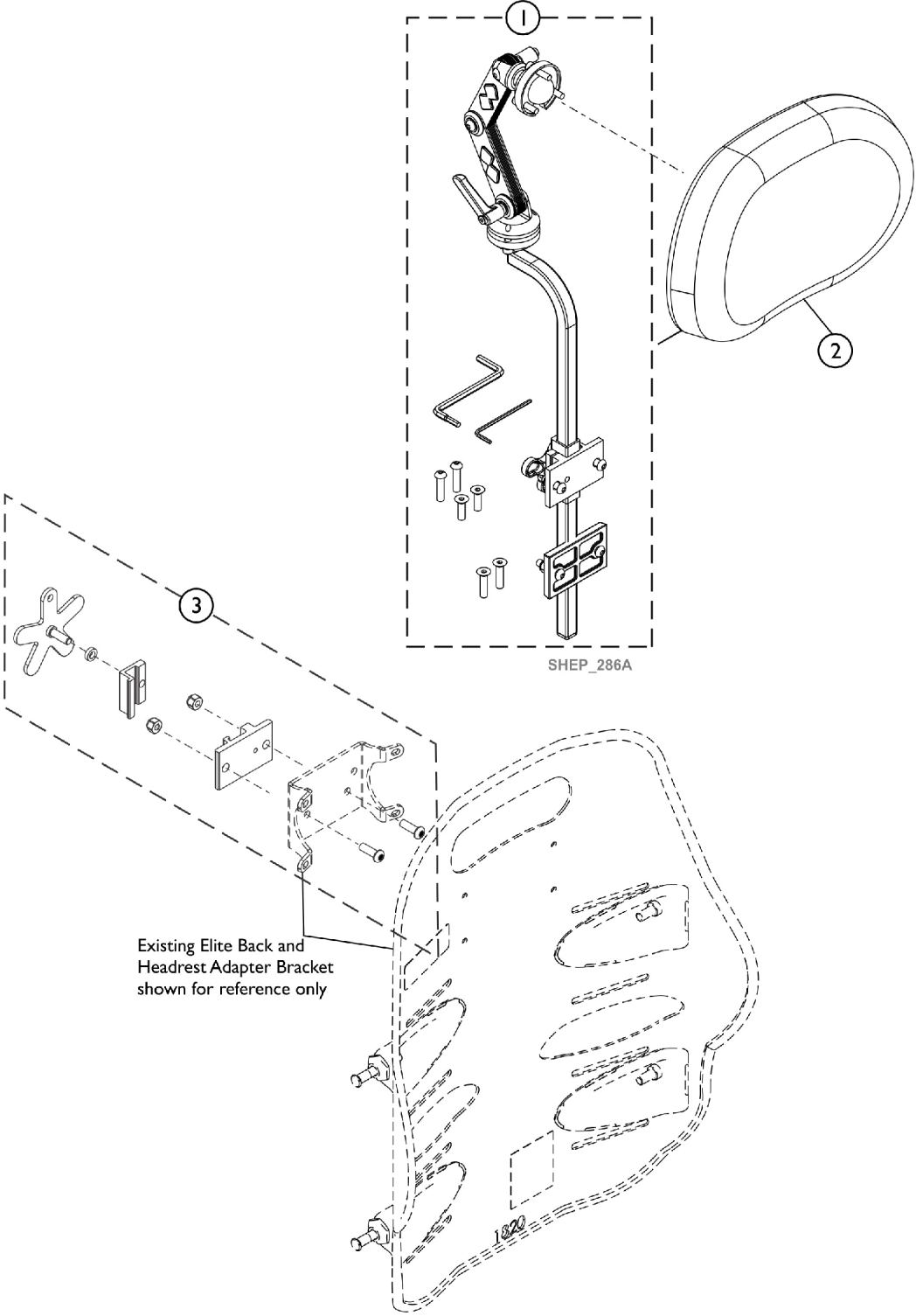


Headrest Support Assembly - Matrix Elan (MEHSP-6, 10,14)



Headrest Support Assembly - Matrx Elan (MEHSP-6, 10,14)

Item Number	Note	Part Number	Description	Quantity Per	
				Package	Assembly
1	A	60102826	Kit, Elan Multi-Axis Articulating Headrest Mounting Hardware	1	1
2	B	60102825	Kit, Matrx Elan Standard Headrest Pad (6" W)	1	1
2	C	60102830	Kit, Matrx Elan Standard Headrest Pad (10" W)	1	1
2	D	60102833	Kit, Matrx Elan Standard Headrest Pad (14" W)	1	1
3	E	60104861	Kit, Headrest Mounting Hardware	1	1
NOTE: A - For model MEMAH B - For model MEHSP-6 C - For model MEHSP-10 D - For model MEHSP-14 E - Item #3 used for Elite Back Assembly					